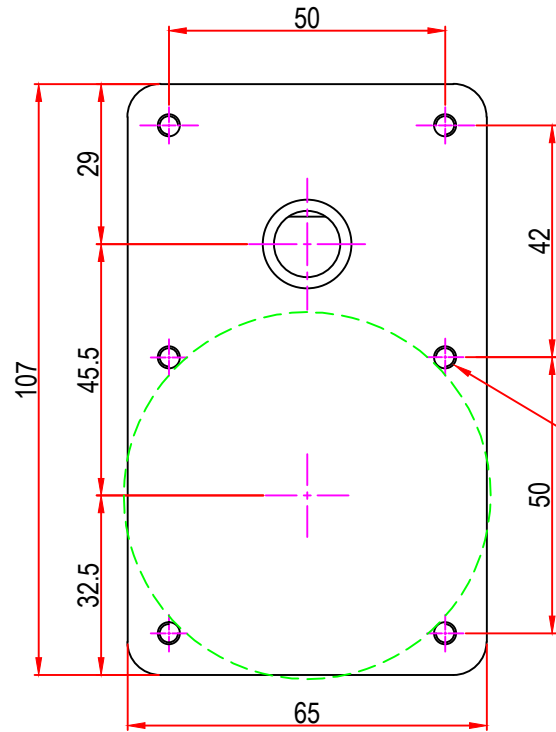
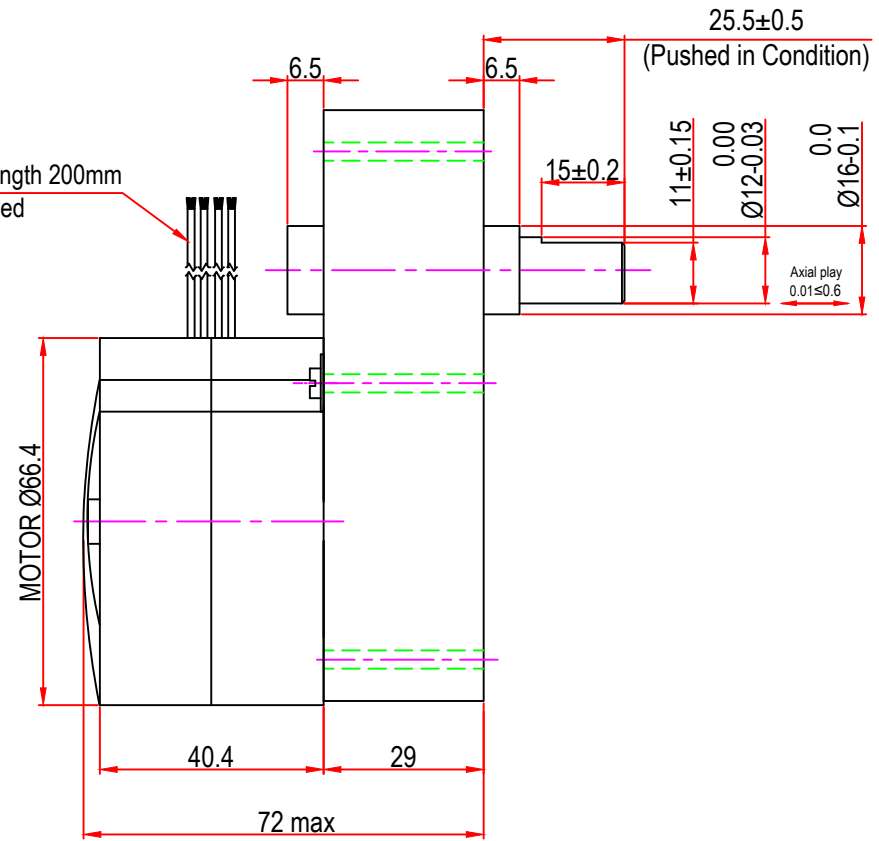


Issue/RevNo	Revision note	Date	Signature	Checked
1.0	Original Issue	01/04/2014	MBM	TNB

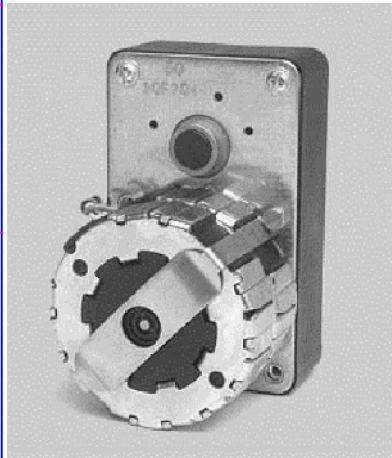


M4 x 0.7 with 8mm depth x 6nos

22 AWG Leads length 200mm  
10mm ends stripped



MOTOR Ø66.4



		Motion Drivetrionics Pvt Ltd		
Itemref	MTS8cW	Article No./Reference		
Designed by MBM	Checked by TNB	Approved by TNB	Date 01/04/2014	Scale do not scale
BRAND - MECHTEX Navi Mumbai - 400 709.		Assembly Drawing		
F-MKT-022 VER 3.0		Edition	Sheet 1 of 1	