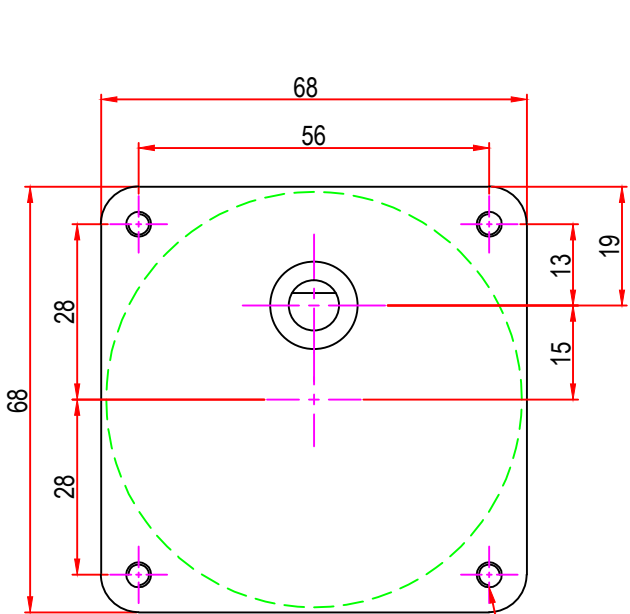
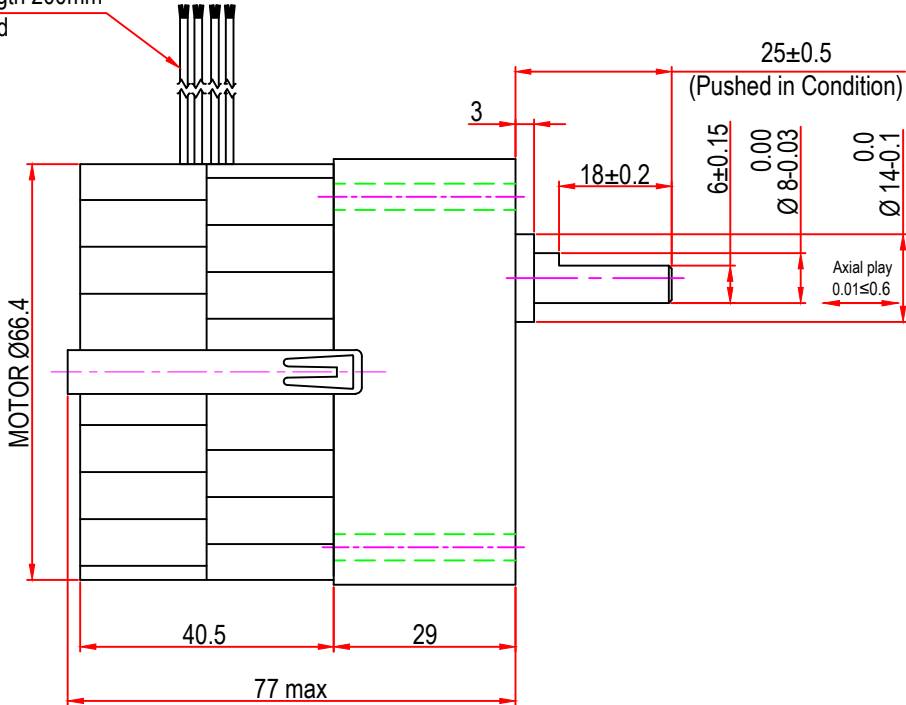


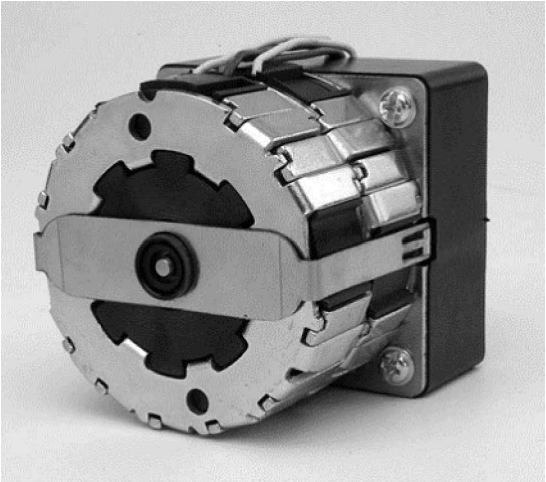
Issue/RevNo	Revision note	Date	Signature	Checked
1.0	Original Issue	01/04/2014	MBM	TNB



22 AWG Leads length 200mm
10mm ends stripped



M4 x 0.7 With 8.0mm depth x 4nos.
other on request.



		Motion Drivetronics Pvt Ltd		
Itemref	MTS8cU		Article No./Reference	
Designed by MBM	Checked by TNB	Approved by TNB	Date 01/04/2014	Scale do not scale
BRAND - MECHTEX Navi Mumbai - 400 709.		Assembly Drawing		
F-MKT-022 VER 3.0		Edition		Sheet 1 of 1