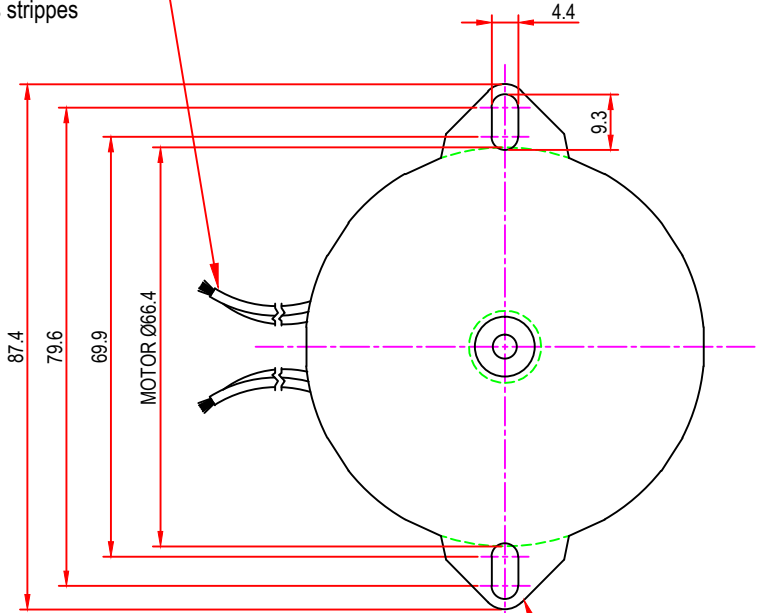
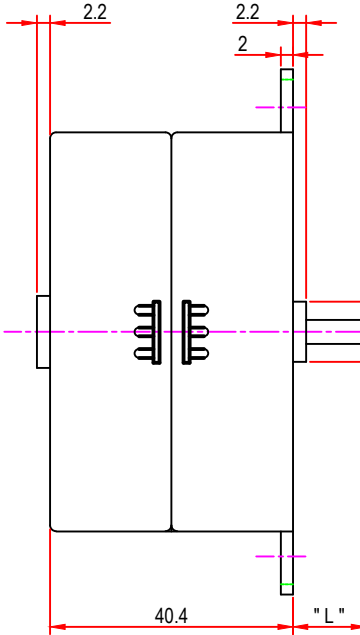


Issue/RevNo	Revision note	Date	Signature	Checked
1.0	Original Issue	01/04/2014	MBM	TNB

22AWG Leads length 200mm
10mm ends stripes



Ø4.4 x 9.3 x 2 Slots




Ø'A'
Ø12 -0.10/-0.00(Std)
Ø10* -0.10/-0.00
Ø14* -0.10/-0.00
*Upon special request

Ø'D' Rotorshaft
Ø4 ^{-0.016} _{-0.022}
Ø 3±0.010 upon special request

"L"	
L ₁	12.2
L ₂	19.2
L ₃	9.0



 Motion Drivetrionics Pvt Ltd						
Itemref	MTS8c	Article No./Reference				
Designed by MBM	Checked by TNB	Approved by TNB				
BRAND - MECHTEX Navi Mumbai - 400 709.		Assembly Drawing				
F-MKT-022 VER 3.0		<table border="1"> <tr> <td>Date</td> <td>Scale</td> </tr> <tr> <td>01/04/2014</td> <td>do not scale</td> </tr> </table>	Date	Scale	01/04/2014	do not scale
Date	Scale					
01/04/2014	do not scale					
		<table border="1"> <tr> <td>Edition</td> <td>Sheet</td> </tr> <tr> <td></td> <td>1 of 1</td> </tr> </table>	Edition	Sheet		1 of 1
Edition	Sheet					
	1 of 1					