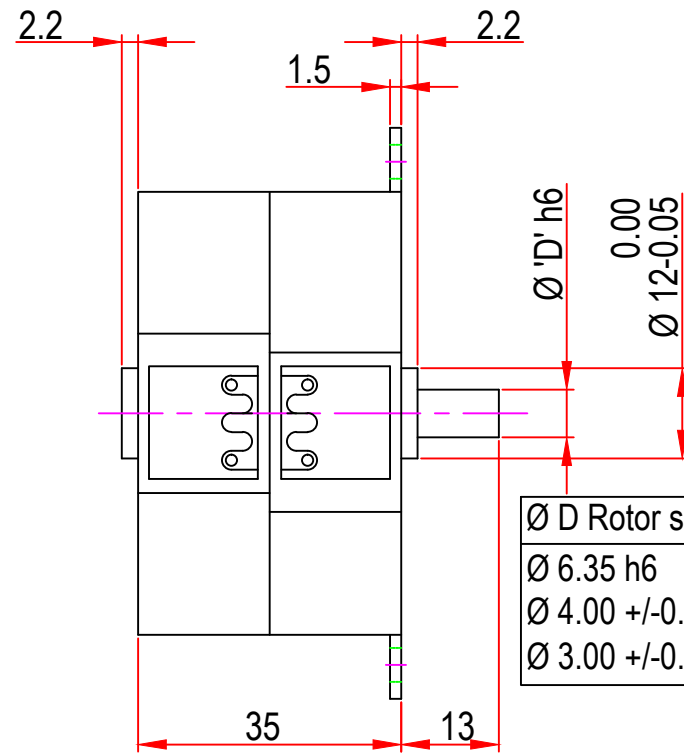
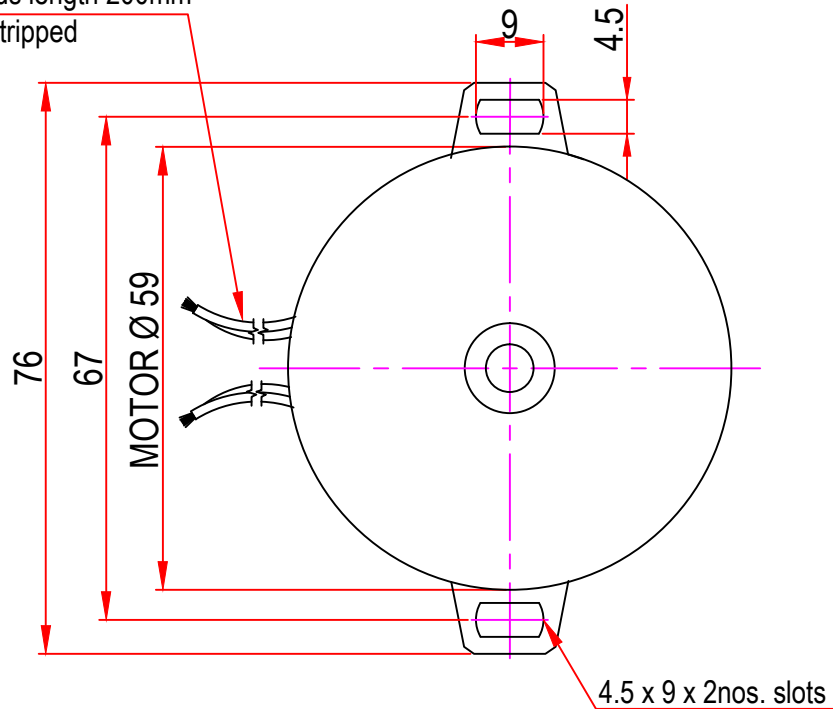
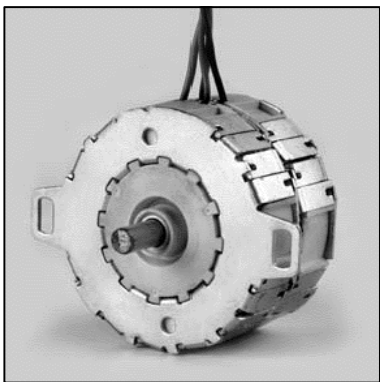


Issue/RevNo	Revision note	Date	Signature	Checked
1.0	Original Issue	01/04/2014	MBM	TNB

22 AWG Leads length 200mm  
10mm ends stripped



Ø D Rotor shaft
Ø 6.35 h6
Ø 4.00 +/-0.01
Ø 3.00 +/-0.01



		Motion Drivetrionics Pvt Ltd	
Itemref	MTS7a	Article No./Reference	
Designed by MBM	Checked by TNB	Approved by TNB	Date 01/04/2014
Scale do not scale			
BRAND - MECHTEX Navi Mumbai - 400 709.		Assembly Drawing	
F-MKT-022 VER 3.0		Edition	Sheet 1 of 1