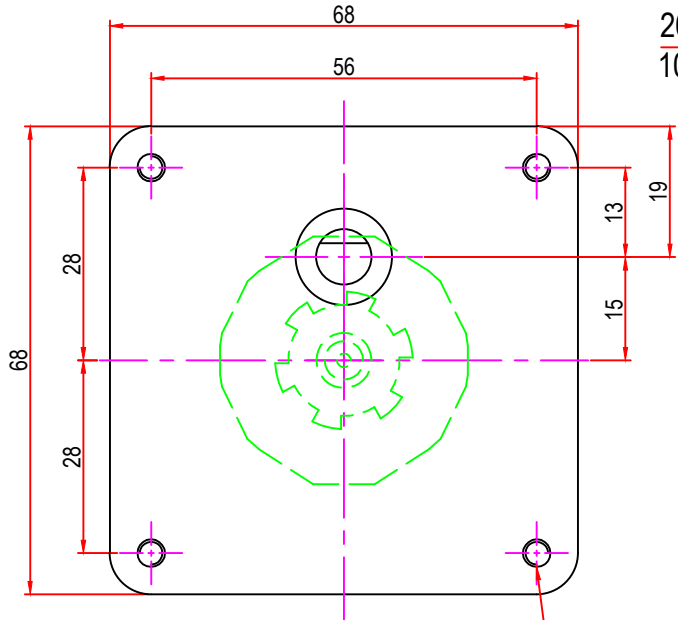
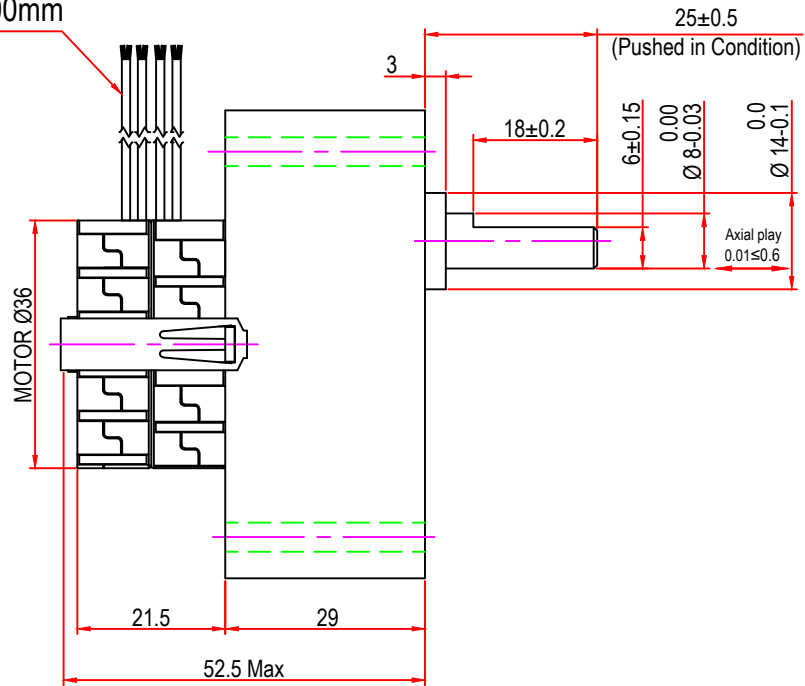


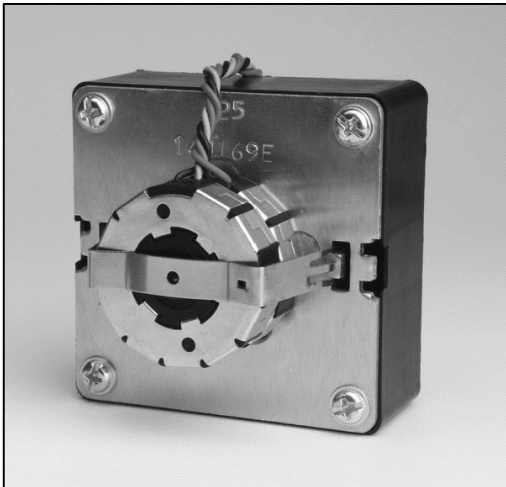
Issue/RevNo	Revision note	Date	Signature	Checked
1.0	Original Issue	01/04/2014	MBM	TNB



26AWG Leads length 200mm  
10mm ends stripped



M4 x 0.7 With 8.0mm depth x 4nos.  
other on request.



		<b>Motion Drivetrionics Pvt Ltd</b>		
Itemref	<b>MTS3bU</b>		Article No./Reference	
Designed by MBM	Checked by TNB	Approved by TNB	Date 01/04/2014	Scale do not scale
<b>BRAND - MECHTEX</b> Navi Mumbai - 400 709.		<b>Assembly Drawing</b>		
F-MKT-022 VER 3.0		Edition	Sheet 1 of 1	