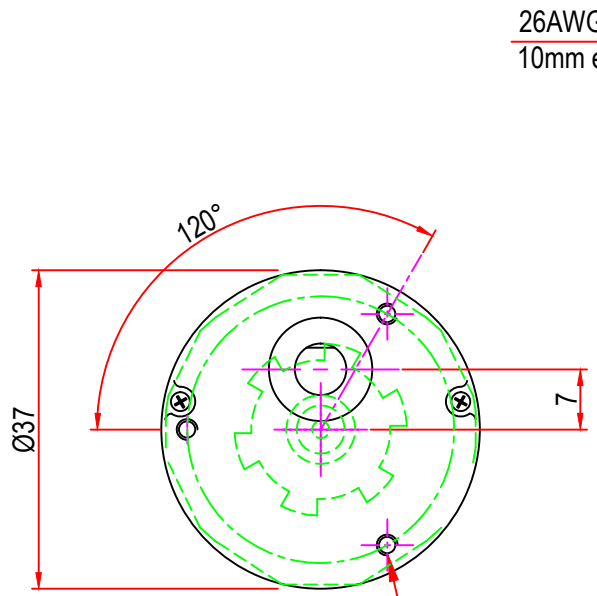
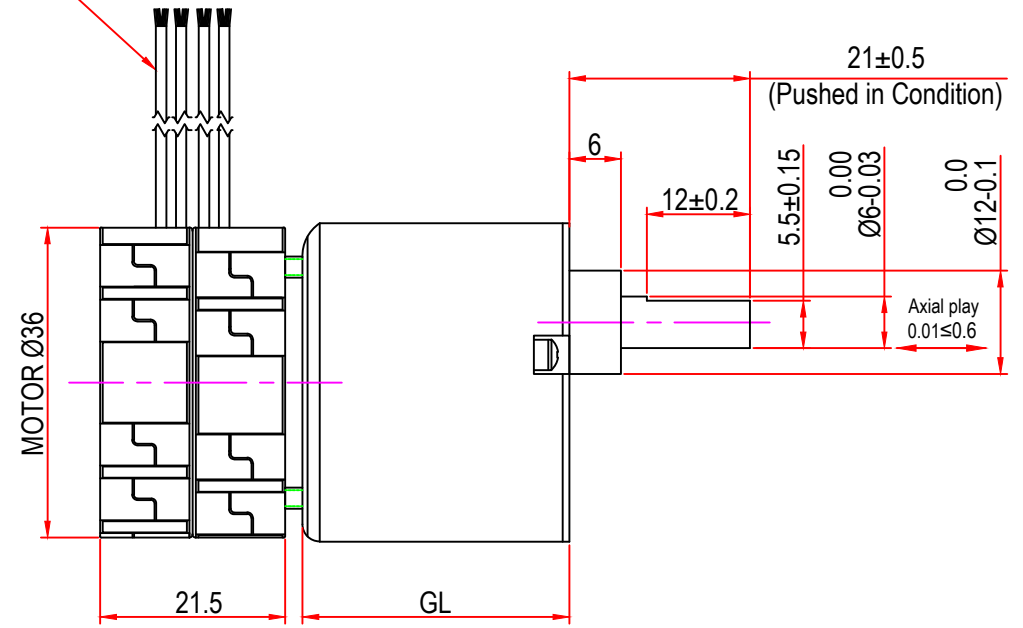


Issue/RevNo	Revision note	Date	Signature	Checked
1.0	Original Issue	01/04/2014	MBM	TNB

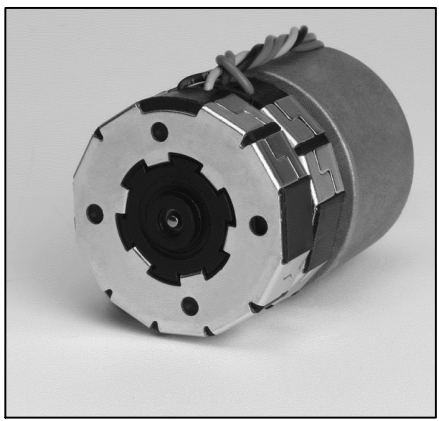


26AWG Leads length 200mm
10mm ends stripped



M3 x 0.5 x 4mm deep max. x 3 nos
mounting holes at 120° on 31 PCD

Model No	No of Stages	GL
GC - 1	3 - 4	20.6
GC - 2	5 - 6	25.3
GC - 3	7 - 8	29.55



		Motion Drivetrionics Pvt Ltd	
Itemref	MTS3bGBC	Article No./Reference	
Designed by MBM	Checked by TNB	Approved by TNB	Date 01/04/2014
Scale do not scale		Edition	
BRAND - MECHTEX Navi Mumbai - 400 709.		Assembly Drawing	
F-MKT-022 VER 3.0		Sheet 1 of 1	