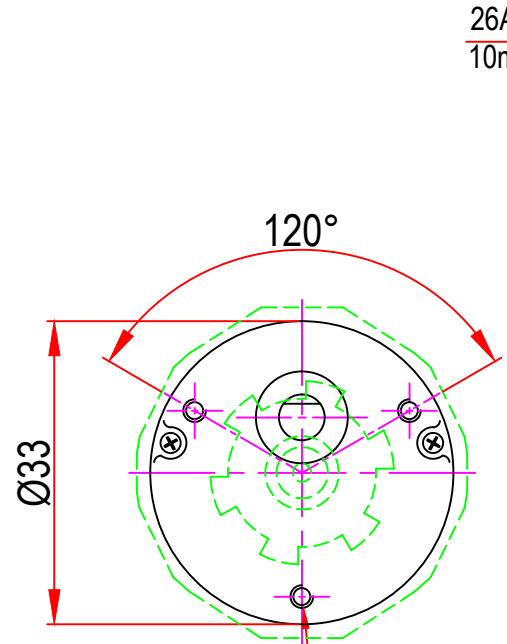
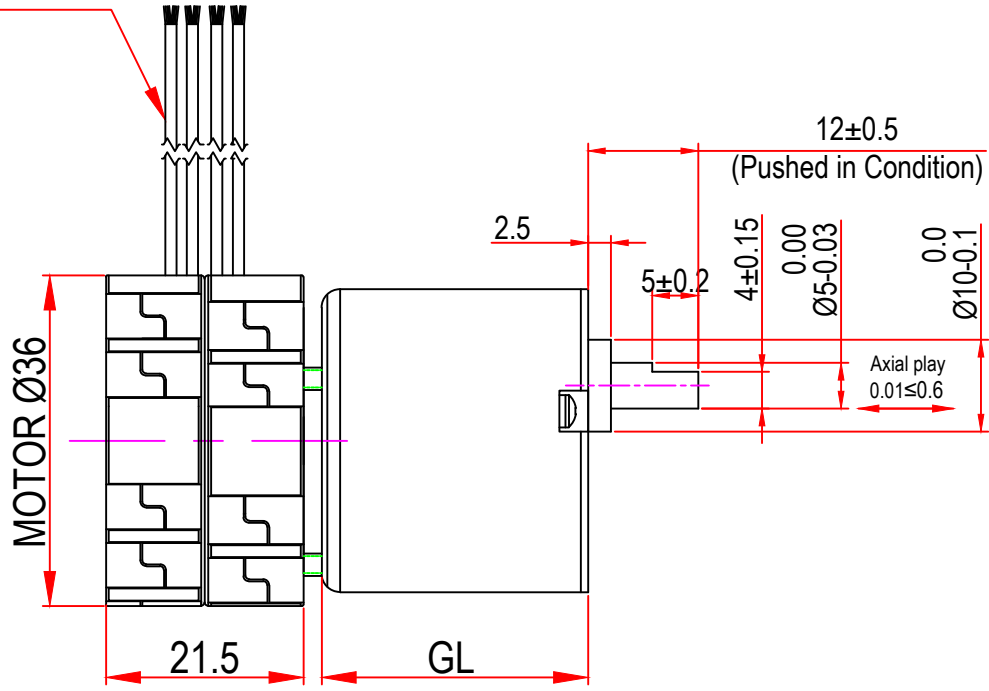


Issue/RevNo	Revision note	Date	Signature	Checked
1.0	Original Issue	01/04/2014	MBM	TNB



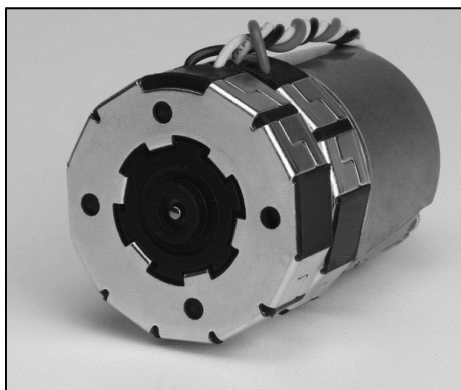
M3 x 0.5 x 5mm deep max. x 3 nos  
mounting holes at 120° On 27 PCD


26AWG Leads length 200mm  
10mm end stripped



Model No	No of Stages	GL
GB - 1*	3 - 4	19.7
GB - 2	5 - 6	24.4
GB - 3	7 - 8	29.0

\*Only On Special Request



 <b>Motion Drivetrionics Pvt Ltd</b>				
Itemref	<b>MTS3bGBB</b>		Article No./Reference	
Designed by MBM	Checked by TNB	Approved by TNB	Date 01/04/2014	Scale do not scale
<b>BRAND - MECHTEX</b> Navi Mumbai - 400 709.			<b>Assembly Drawing</b>	
F-MKT-022 VER 3.0			Edition	Sheet 1 of 1