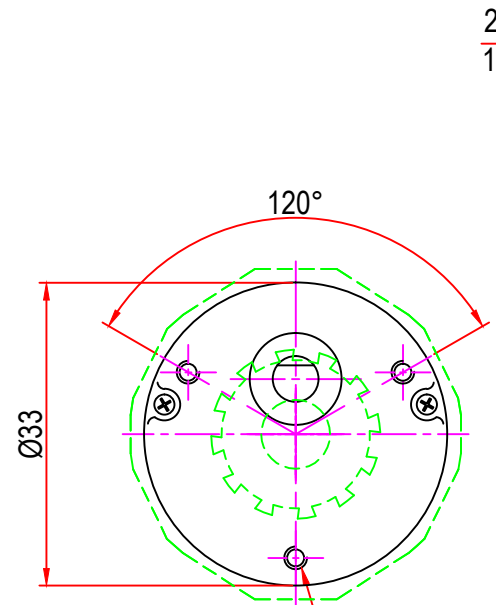
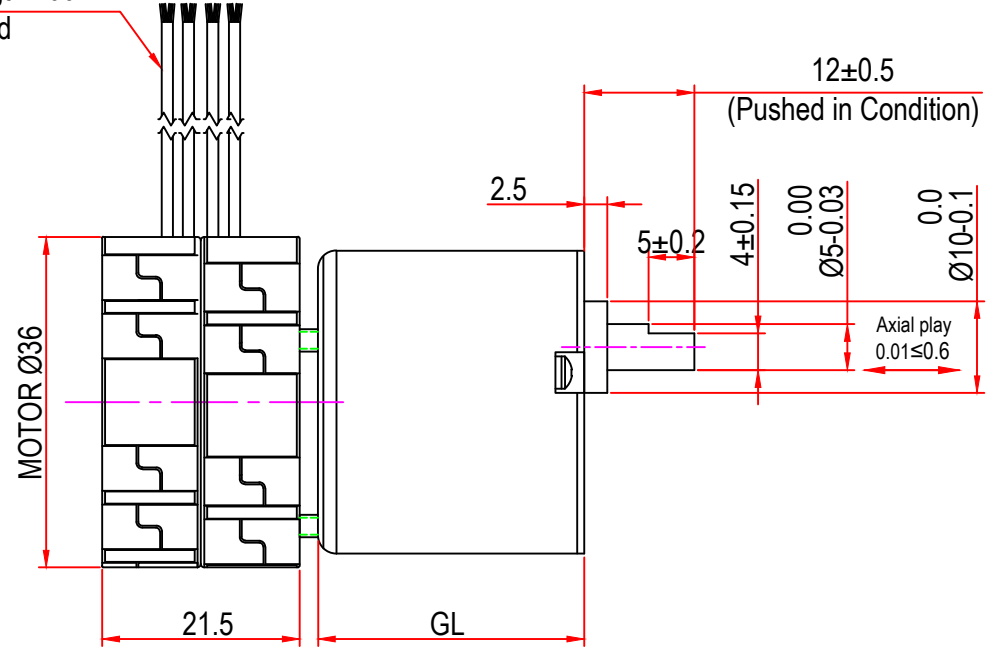


Issue/RevNo	Revision note	Date	Signature	Checked
1.0	Original Issue	01/04/2014	MBM	TNB



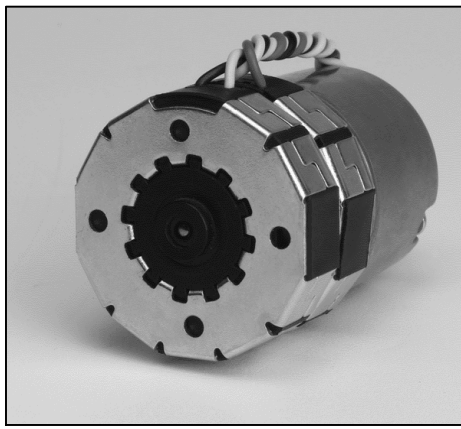
26AWG Leads length 200mm
10mm ends stripped



M3 x 0.5 x 5mm deep max. x 3nos
mounting holes at 120° On 27 PCD

Model No	No of Stages	GL
GB - 1*	3 - 4	19.7
GB - 2	5 - 6	24.4
GB - 3	7 - 8	29.0

*Only On Special Request



		Motion Drivetrionics Pvt Ltd		
Itemref	MTS3aGBB		Article No./Reference	
Designed by MBM	Checked by TNB	Approved by TNB	Date 01/04/2014	Scale do not scale
BRAND - MECHTEX Navi Mumbai - 400 709.		Assembly Drawing		
F-MKT-022 VER 3.0		Edition		Sheet 1 of 1