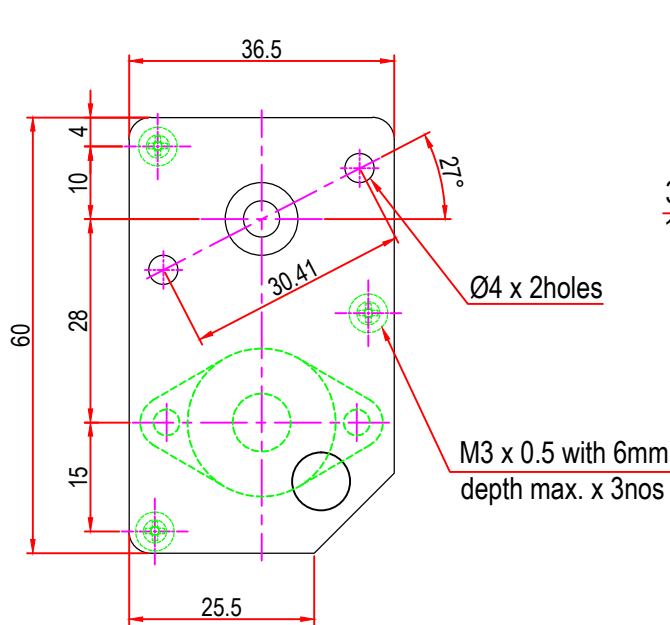
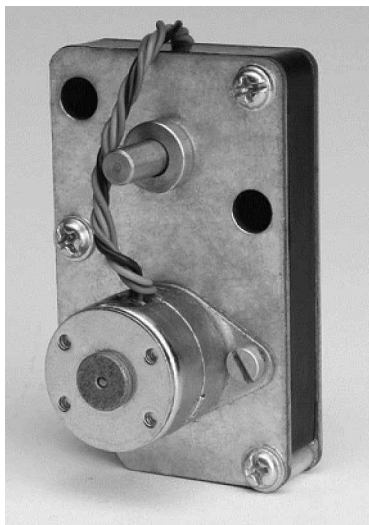
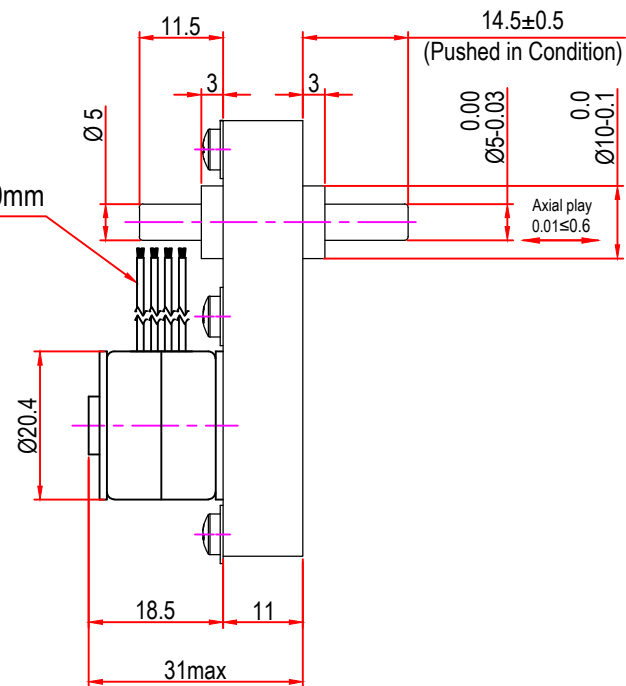



Issue/RevNo	Revision note	Date	Signature	Checked
1.0	Original Issue	01/04/2014	MBM	TNB



30AWG Leads length 200mm
10mm ends stripped



 Motion Drivetronics Pvt. Ltd.			
Itemref	MTS2bGBL	Article No. / Reference	
Designed by MBM	Checked by : TNB	Approved by : TNB	Date : 01/04/2014
BRAND - MECHTEX Navi Mumbai - 400 709.		Assembly Drawing	
F-MKT-022 VER 3.0		Edition	Sheet 1 of 1