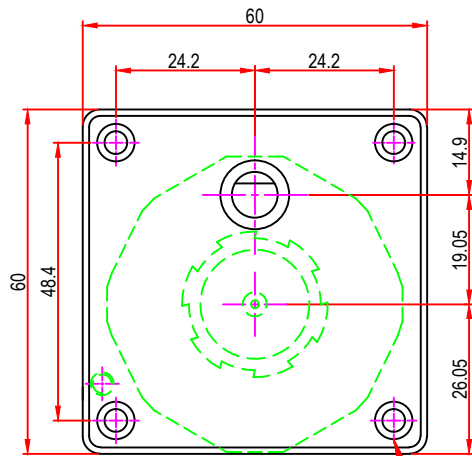
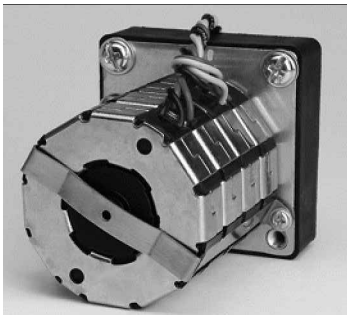
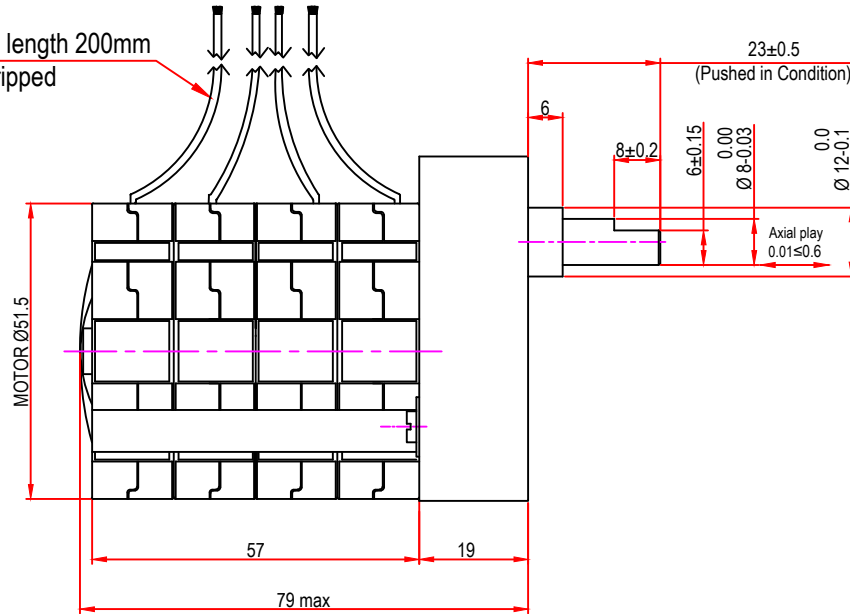



| Issue/RevNo | Revision note  | Date       | Signature | Checked |
|-------------|----------------|------------|-----------|---------|
| 1.0         | Original Issue | 01/04/2014 | MBM       | TNB     |



M5 x 0.8 with  
8mm depth Max x 4nos.

22AWG Leads length 200mm  
10mm ends stripped



|   |                   |                         |                       |
|---|-------------------|-------------------------|-----------------------|
|  <b>Motion Drivetrronics Pvt Ltd</b> |                   |                         |                       |
| Itemref   | <b>MTRD4b3</b>    | Article No./Reference   |                       |
| Designed by<br>MBM  | Checked by<br>TNB | Approved by<br>TNB      | Scale<br>do not scale |
| <b>BRAND - MECHTEX</b><br>Navi Mumbai - 400 709.  |                   | <b>Assembly Drawing</b> |                       |
| F-MKT-022 VER 3.0   |                   | Edition                 | Sheet<br>1 of 1       |