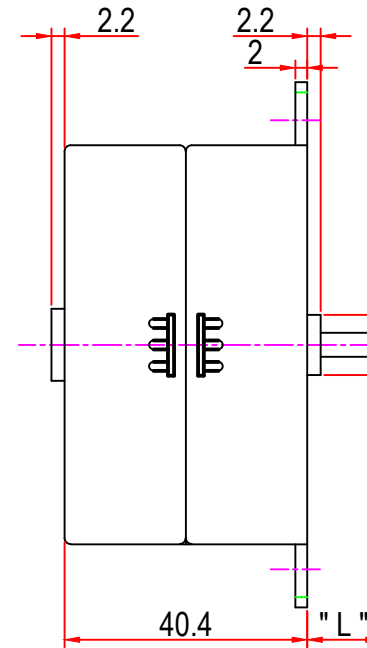
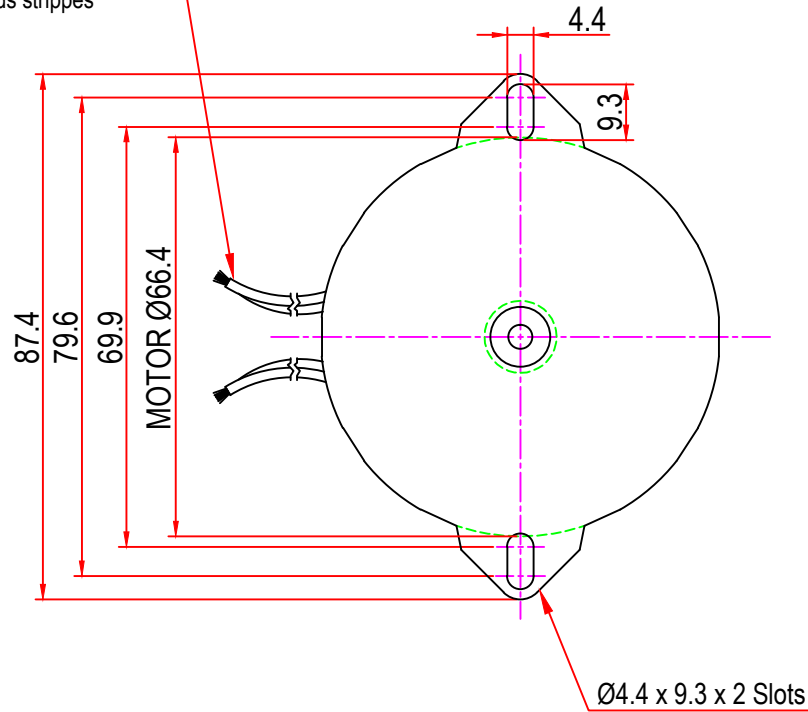
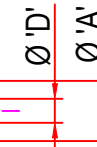


| Issue/RevNo | Revision note | Date | Signature | Checked |
|-------------|----------------|------------|-----------|---------|
| 1.0 | Original Issue | 01/04/2014 | MBM | TNB |

22AWG Leads length 200mm
10mm ends stripped



| |
|-----------------------|
| Ø'A' |
| Ø12 -0.10/-0.00(Std) |
| Ø10* -0.10/-0.00 |
| Ø14* -0.10/-0.00 |
| *Upon special request |



| |
|-----------------------------------|
| Ø'D' Rotorshaft |
| Ø4 -0.016 -0.022 |
| Ø 3±0.010 upon special request |

| | |
|----------------|------|
| "L" | |
| L ₁ | 12.2 |
| L ₂ | 19.2 |
| L ₃ | 9.0 |



| | | | |
|--|-------------------|-------------------------------------|--------------------|
| | | Motion Drivetrionics Pvt Ltd | |
| Itemref | MTR8c | Article No./Reference | |
| Designed by MBM | Checked by TNB | Approved by TNB | Date 01/04/2014 |
| BRAND - MECHTEX Navi Mumbai - 400 709. | | Assembly Drawing | |
| F-MKT-022 VER 3.0 | | Edition | Sheet 1 of 1 |