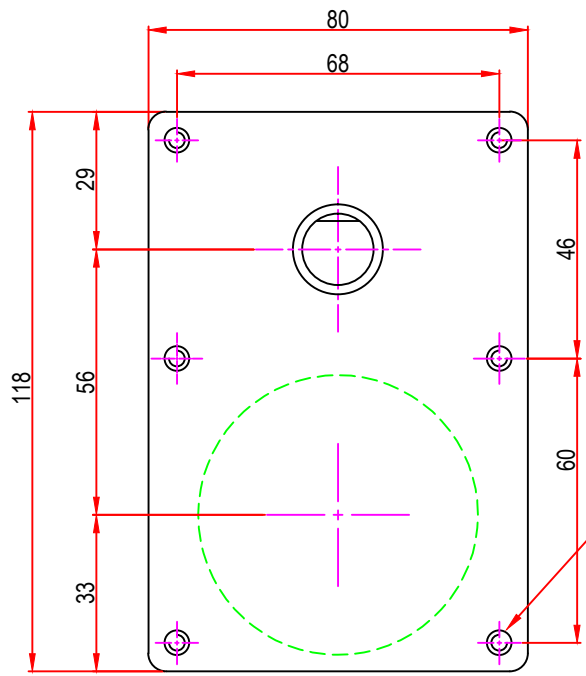


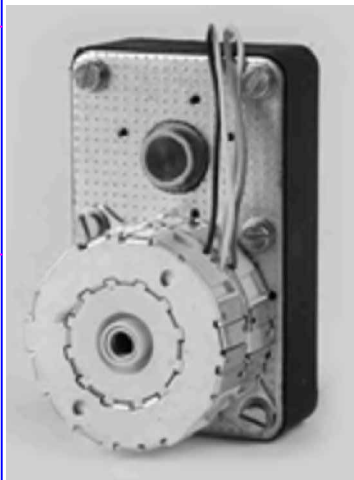
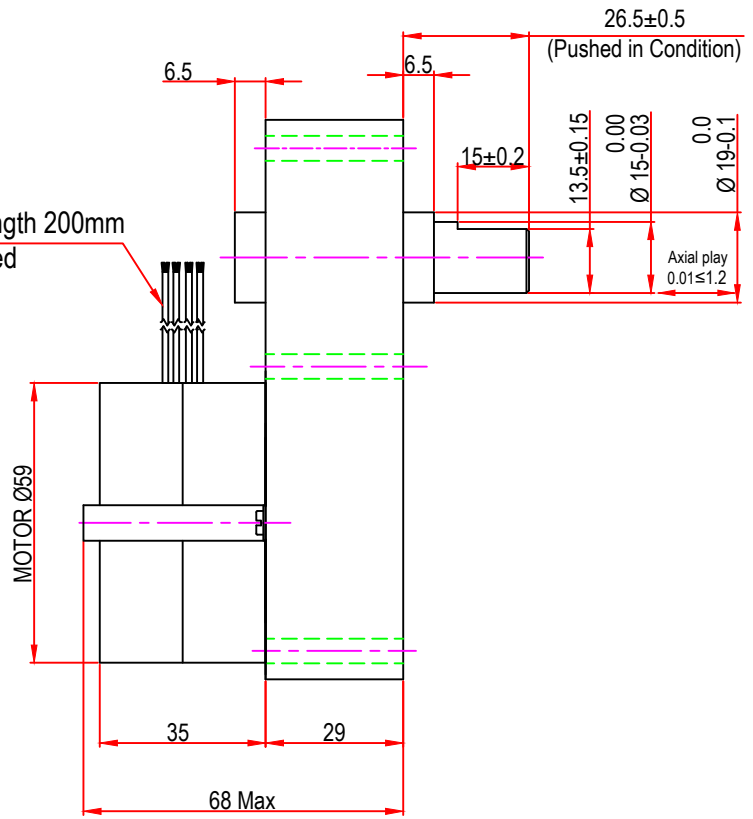
1 2 3 4 5 6 7 8


Issue/RevNo	Revision note	Date	Signature	Checked
1.0	Original Issue	01/04/2014	MBM	TNB



M4 x 0.7 with 8mm depth x 6nos.

22 AWG Leads length 200mm
10mm ends stripped



 Motion Drivetronics Pvt Ltd	
Itemref	MTR7aX
Designed by MBM	Article No./Reference
Checked by TNB	Date 01/04/2014
Approved by TNB	Scale do not scale
BRAND - MECHTEX Navi Mumbai - 400 709.	
Assembly Drawing	
F-MKT-022 VER 3.0	Edition
	Sheet 1 of 1

F

1 2 3 4 5 6 7 8