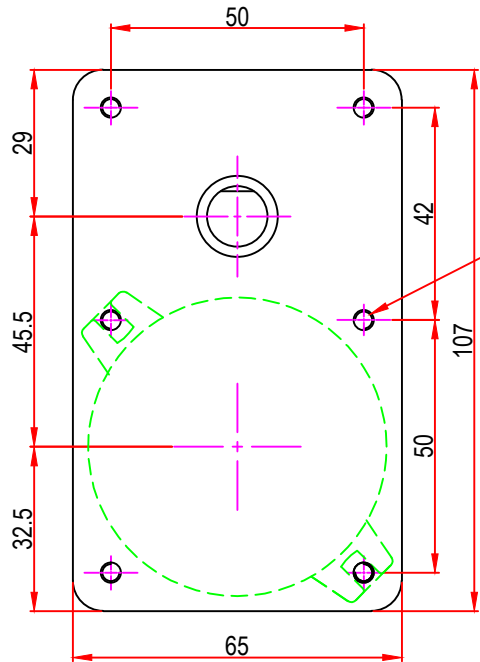
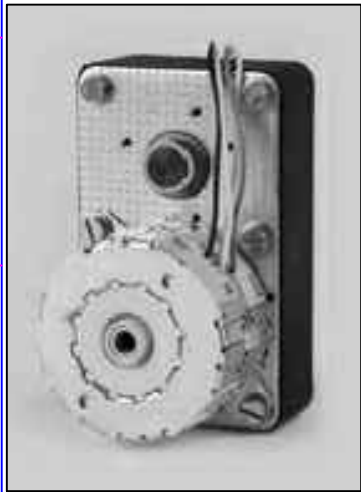
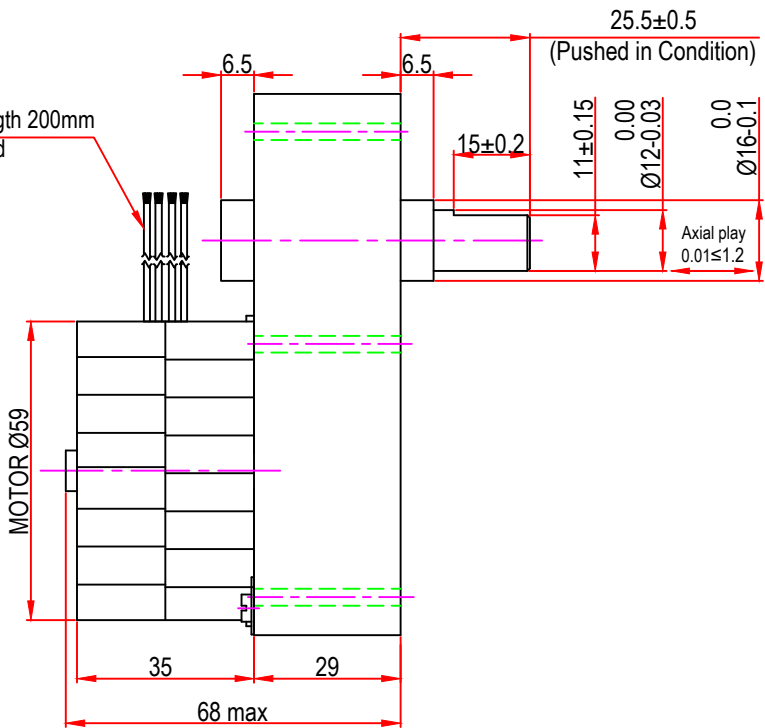


Issue/RevNo	Revision note	Date	Signature	Checked
1.0	Original Issue	01/04/2014	MBM	TNB



M4 x 0.7 with 8mm depth x 6 nos.

22 AWG Leads length 200mm
10mm ends stripped



		Motion Drivetrionics Pvt Ltd	
Itemref	MTR7aW	Article No./Reference	
Designed by MBM	Checked by TNB	Approved by TNB	Date 01/04/2014
Scale do not scale		Edition	
F-MKT-022 VER 3.0		Sheet 1 of 1	

BRAND - MECHTEX
Navi Mumbai - 400 709.

Assembly Drawing