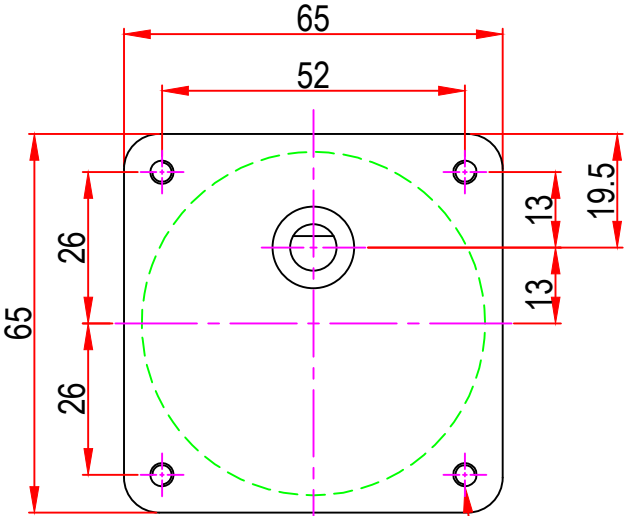
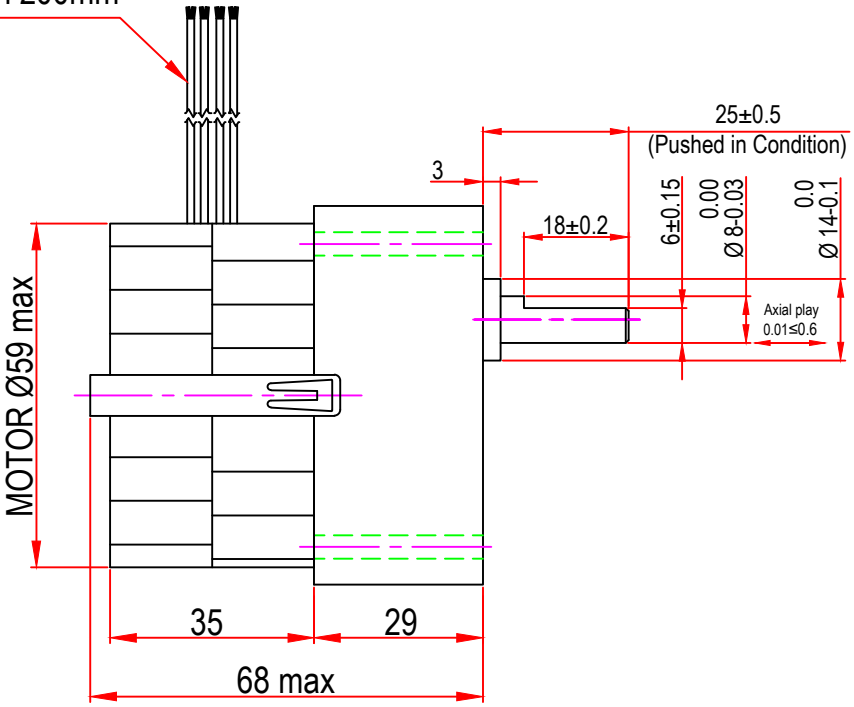


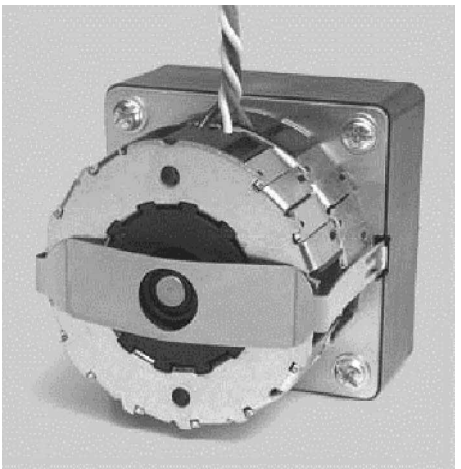
Issue/RevNo	Revision note	Date	Signature	Checked
1.0	Original Issue	01/04/2014	MBM	TNB




22 AWG Leads length 200mm
10mm ends stripped



M4 x 0.7 With 10.0mm depth x 4nos.
Other on request.



 Motion Drivetronics Pvt Ltd			
Itemref	MTR7aV	Article No./Reference	
Designed by MBM	Checked by TNB	Approved by TNB	Date 01/04/2014
BRAND - MECHTEX Navi Mumbai - 400 709.		Assembly Drawing	
F-MKT-022 VER 3.0		Edition	Sheet 1 of 1