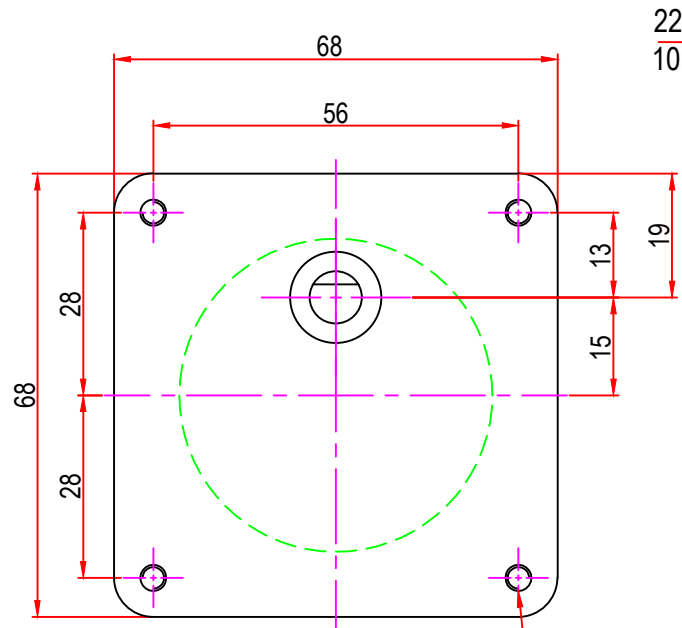
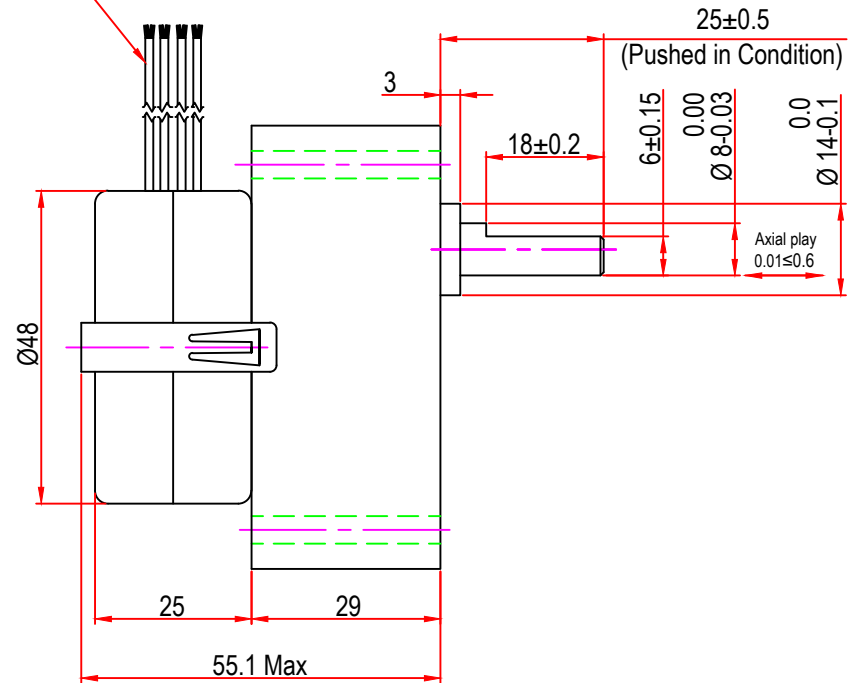


Issue/RevNo	Revision note	Date	Signature	Checked
1.0	Original Issue	01/04/2014	MBM	TNB



22AWG Leads length 200mm  
10mm ends stripped



M4 x 0.7 With 8.0mm depth x 4nos.  
other on request.



		Motion Drivetrionics Pvt Ltd		
Itemref	MTR5U	Article No./Reference		
Designed by	Checked by	Approved by	Date	Scale
MBM	NSS	TNB	01/04/2014	do not scale
BRAND - MECHTEX Navi Mumbai - 400 709.		Assembly Drawing		
F-MKT-022 VER 3.0		Edition	Sheet	
			1 of 1	