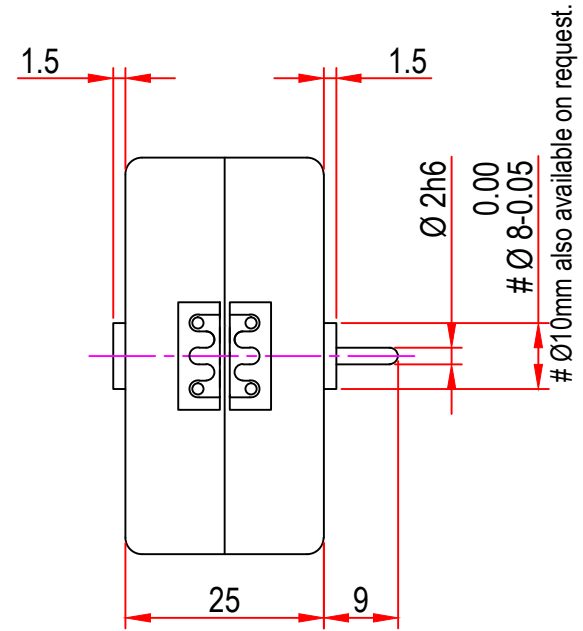
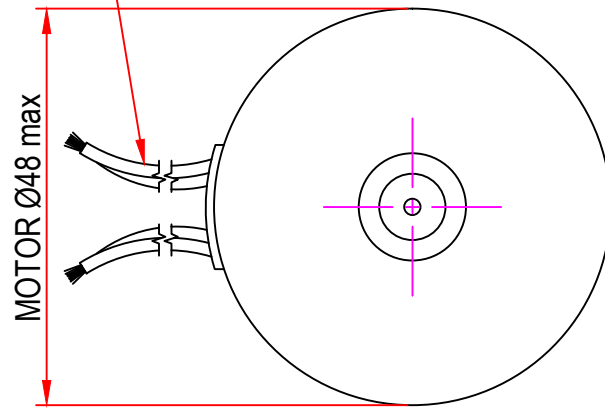


Issue/RevNo	Revision note	Date	Signature	Checked
1.0	Original Issue	01/04/2014	MBM	TNB

22AWG Leads length 200mm  
10mm ends stripped



		Motion Drivetrionics Pvt Ltd	
Itemref	MTR5	Article No./Reference	
Designed by MBM	Checked by TNB	Approved by TNB	Date 01/04/2014
Scale do not scale			
BRAND - MECHTEX Navi Mumbai - 400 709.		Assembly Drawing	
F-MKT-022 VER 3.0		Edition	Sheet 1 of 1