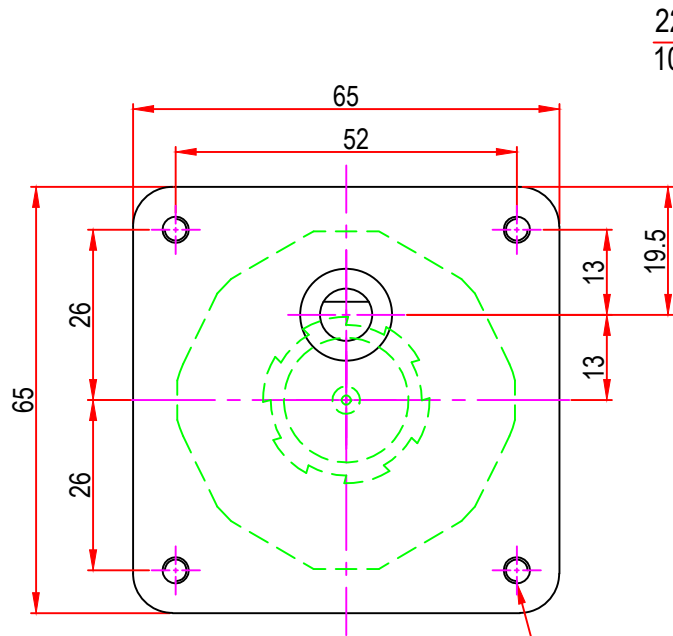
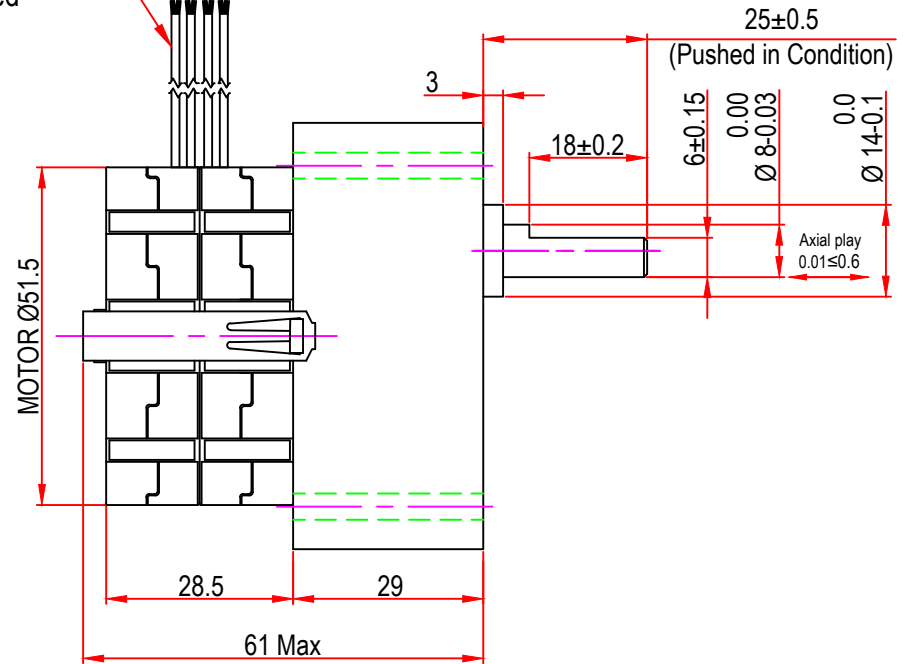


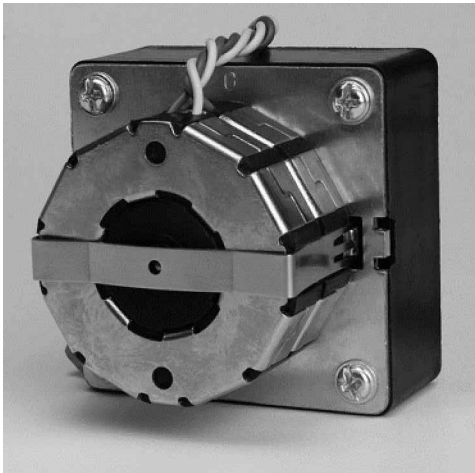
| Issue/RevNo | Revision note  | Date       | Signature | Checked |
|-------------|----------------|------------|-----------|---------|
| 1.0         | Original Issue | 01/04/2014 | MBM       | TNB     |




22AWG Leads length 200mm  
10mm ends stripped



M4 x 0.7 With 10.0mm depth x 4nos.  
Other on request.



|  |                   |                    |                         |                       |
|--|-------------------|--------------------|-------------------------|-----------------------|
|  <b>Motion Drivetronics Pvt Ltd</b> |                   |                    |                         |                       |
| Itemref  | <b>MTR4bV</b>     |                    | Article No./Reference   |                       |
| Designed by<br>MBM   | Checked by<br>TNB | Approved by<br>TNB | Date<br>01/04/2014      | Scale<br>do not scale |
| <b>BRAND - MECHTEX</b><br>Navi Mumbai - 400 709.   |                   |                    | <b>Assembly Drawing</b> |                       |
| F-MKT-022 VER 3.0  |                   |                    | Edition                 | Sheet<br>1 of 1       |