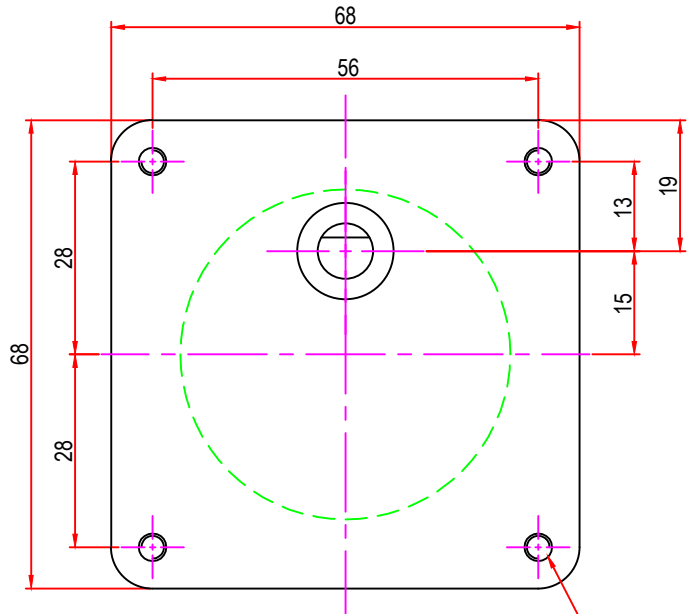
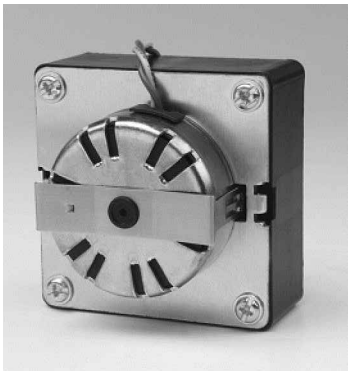
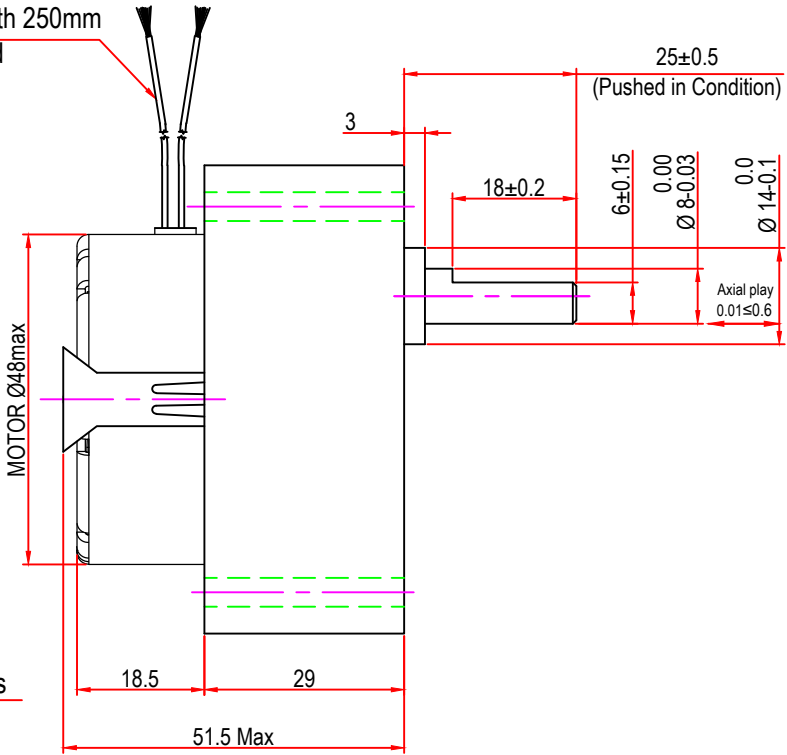


Issue/RevNo	Revision note	Date	Signature	Checked
1.0	Original Issue	12/05/2014	MBM	TNB



M4 x 0.7 with 8.0mm depth x 4 nos  
other on request.

22AWG Leads length 250mm  
10mm ends stripped



Itemref	Client	Article No./Reference		
Designed by MBM	Checked by TNB	Approved by TNB	Date 12/05/2014	Scale do not scale
BRAND - MECHTEX Navi Mumbai - 400 709.		MT6bU		
F-MKT-022 VER 3.0		Assembly Drawing		Edition Sheet 1 of 1