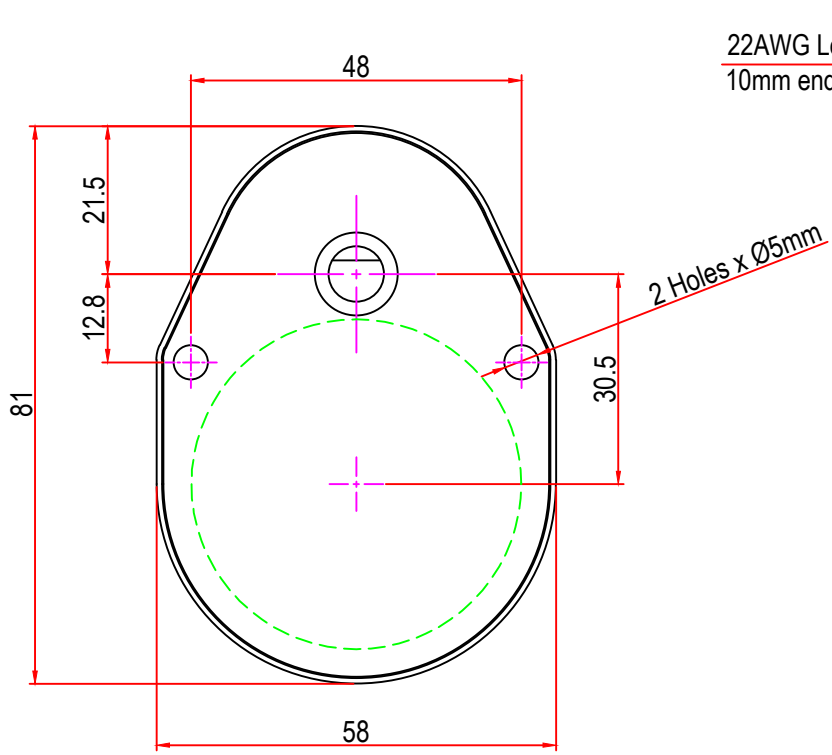
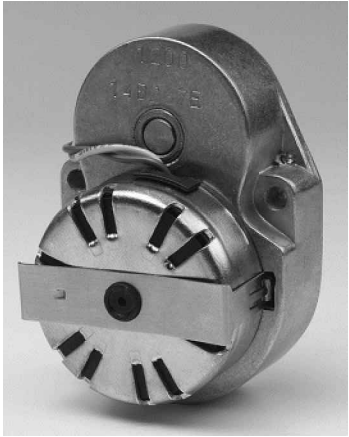
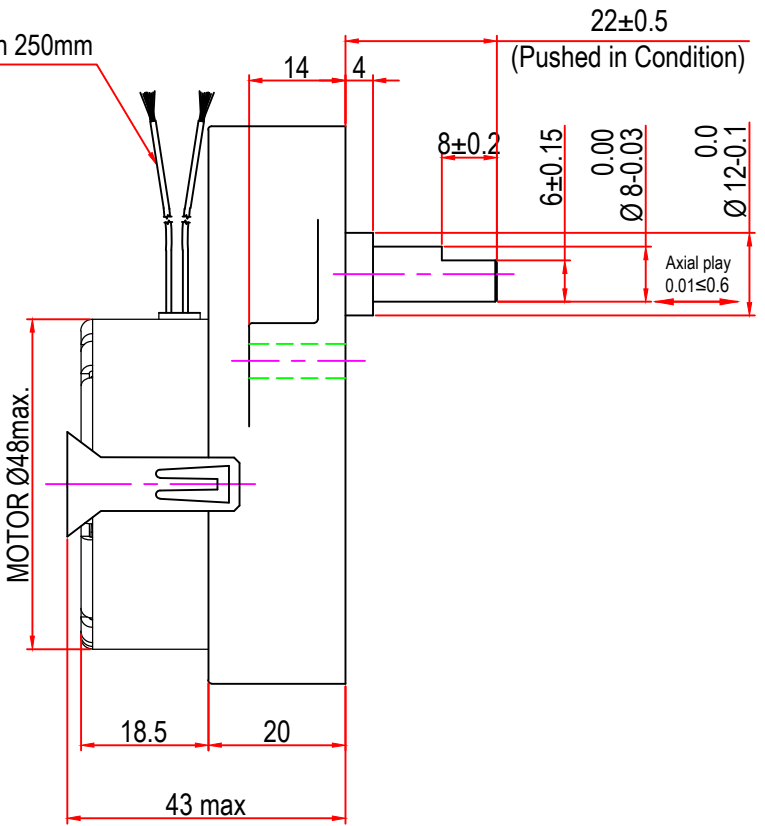



Issue/RevNo	Revision note	Date	Signature	Checked
1.0	Original Issue	12/05/2014	MBM	TNB



22AWG Leads length 250mm  
10mm ends stripped



 <b>Motion Drivetronics Pvt Ltd</b>				
Itemref	Client			Article No./Reference
Designed by MBM	Checked by TNB	Approved by TNB	Date 12/05/2014	Scale do not scale
<b>BRAND - MECHTEX</b> Navi Mumbai - 400 709.		<b>MT6b7</b>		
F-MKT-022 VER 3.0		Assembly Drawing		Edition Sheet 1 of 1