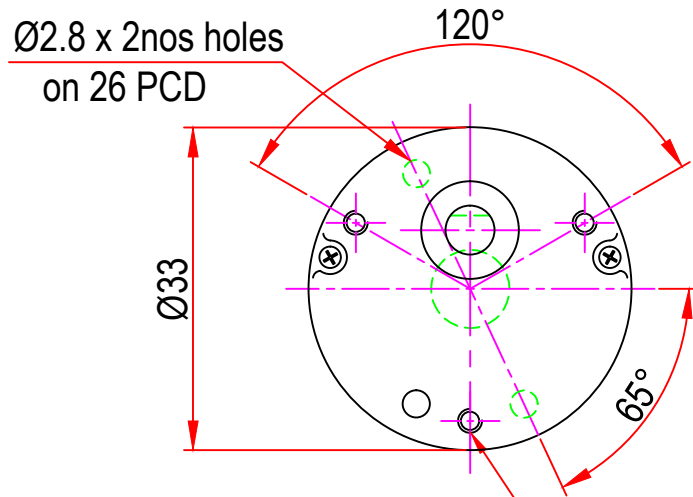
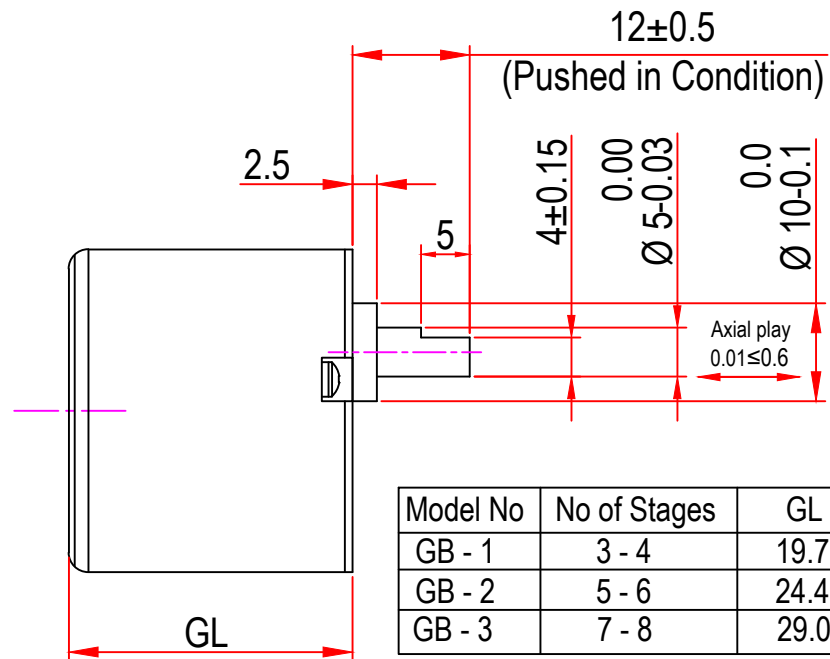


Issue/RevNo	Revision note	Date	Signature	Checked
1.0	Original Issue	01/04/2014	MBM	NSS



M3 x 0.5 x 5mm deep max.  
x 3 nos mounting holes  
at 120° On 27 PCD



Model No	No of Stages	GL
GB - 1	3 - 4	19.7
GB - 2	5 - 6	24.4
GB - 3	7 - 8	29.0

		Motion Drivetronics Pvt Ltd		
Itemref	GBB GEAR BOX		Article No./Reference	
Designed by MBM	Checked by NSS	Approved by TNB	Date 01/04/2014	Scale do not scale
BRAND - MECHTEX Navi Mumbai - 400 709.		Assembly Drawing		
F-MKT-022 VER 3.0		Edition		Sheet 1 of 1