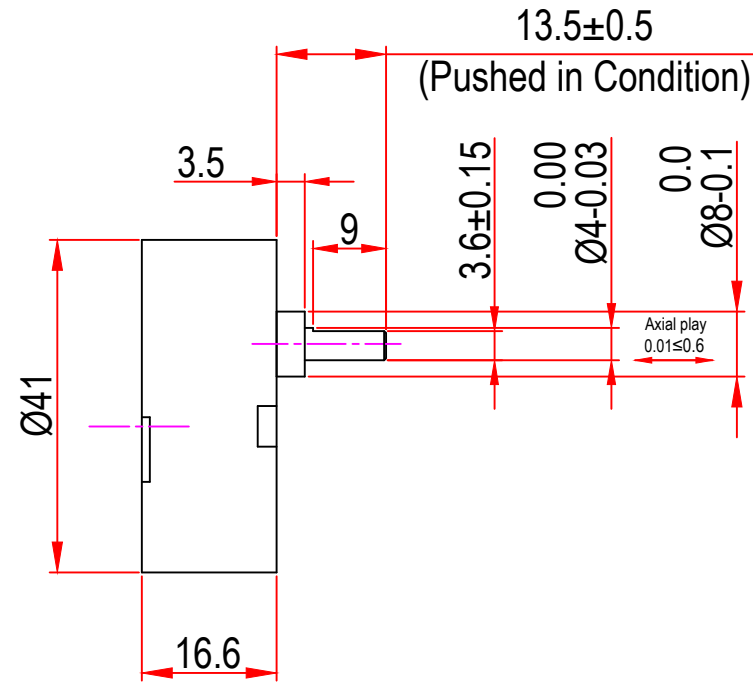
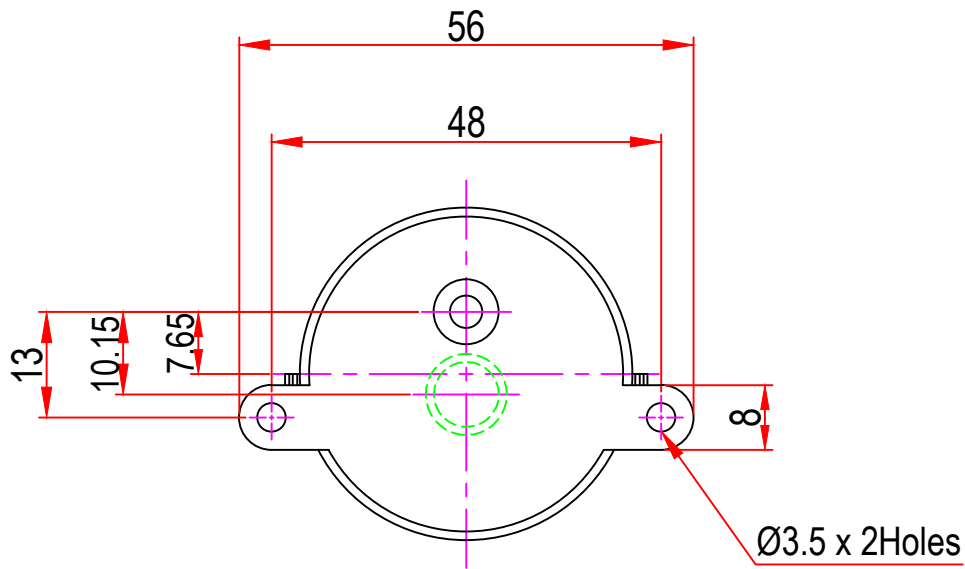


Issue/RevNo	Revision note	Date	Signature	Checked
1.0	Original Issue	01/04/2014	MBM	NSS



		Motion Drivetrionics Pvt Ltd	
Itemref	GB380CP GEAR BOX	Article No./Reference	
Designed by MBM	Checked by NSS	Approved by TNB	Date 01/04/2014
Scale do not scale		Edition	
BRAND - MECHTEX Navi Mumbai - 400 709.		Assembly Drawing	
F-MKT-022 VER 3.0		Sheet 1 of 1	