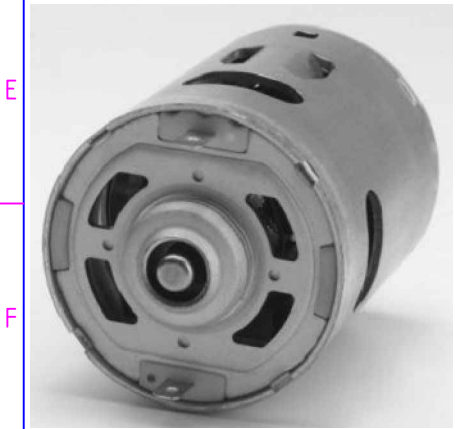
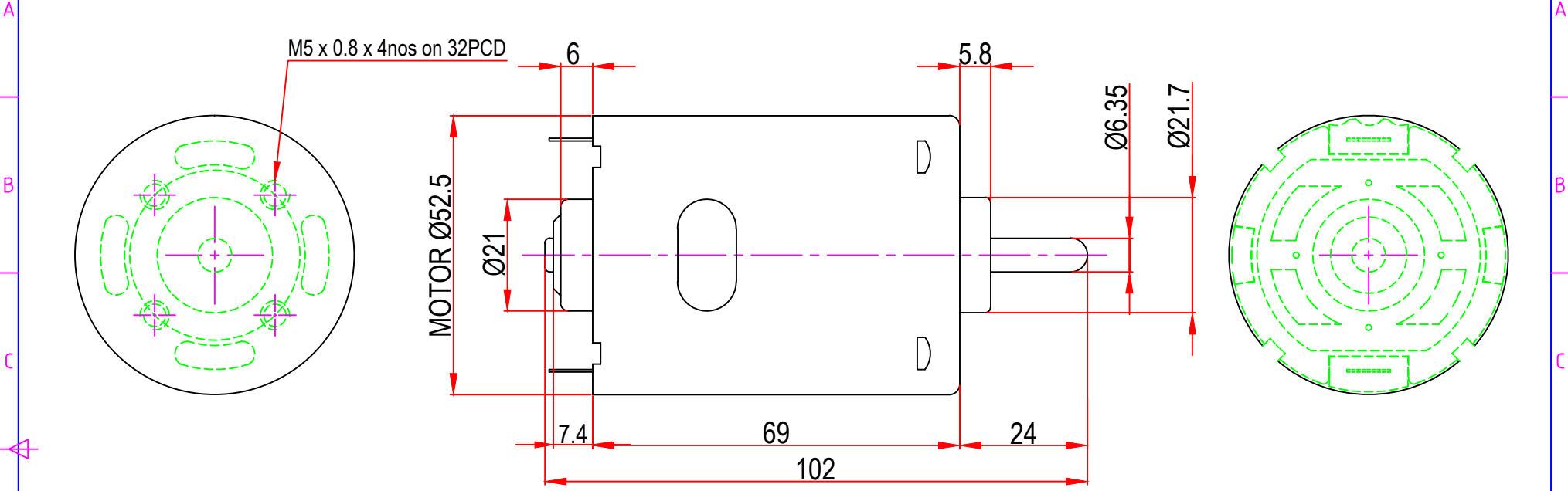



1 | 2 | 3 | 4 | 5 | 6 | 7 | 8

Issue/RevNo	Revision note	Date	Signature	Checked
1.0	Original Issue	01/04/2014	MBM	TNB



		 Motion Drivetrionics Pvt Ltd			
Itemref		DC52 MOTORS		Article No./Reference	
Designed by	Checked by	Approved by	Date	Scale	
MBM	TNB	TNB	01/04/2014	do not scale	
BRAND - MECHTEX Navi Mumbai - 400 709.			Assembly Drawing		
F-MKT-022 VER 3.0			Edition	Sheet	
				1 of 1	

1 | 2 | 3 | 4 | 5 | 6 | 7 | 8