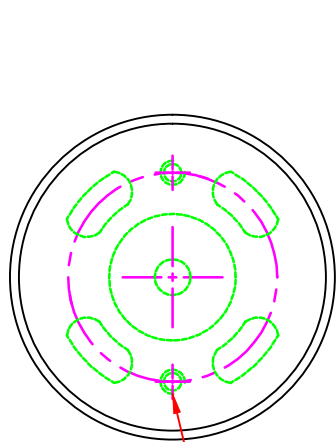
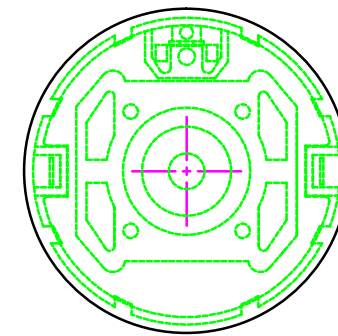
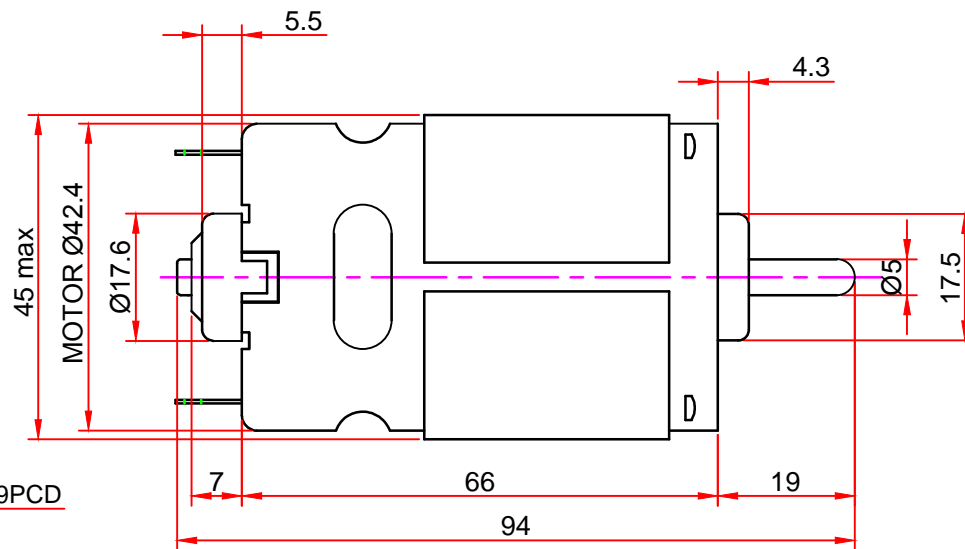


| Issue/RevNo | Revision note | Date | Signature | Checked |
|-------------|----------------|------------|-----------|---------|
| 1.0 | Original Issue | 01/04/2014 | MBM | TNB |



M4x 0.7 x 2nos on 29PCD



| | | | | |
|---|-------------------|------------------------------|--------------------|-----------------------|
| | | Motion Drivetrionics Pvt Ltd | | |
| Itemref | DC42 MOTOR | Article No./Reference | | |
| Designed by MBM | Checked by TNB | Approved by TNB | Date 01/04/2014 | Scale do not scale |
| BRAND - MECHTEX Navi Mumbai - 400 709. | | Assembly Drawing | | |
| F-MKT-022 VER 3.0 | | Edition | | Sheet 1 of 1 |