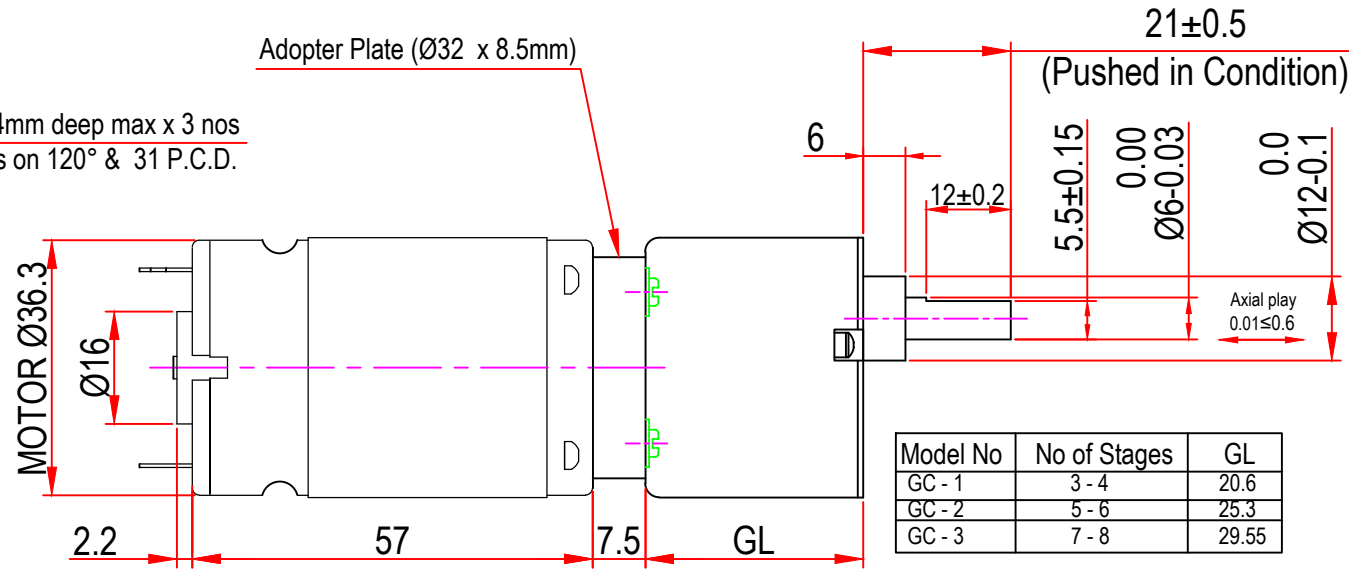
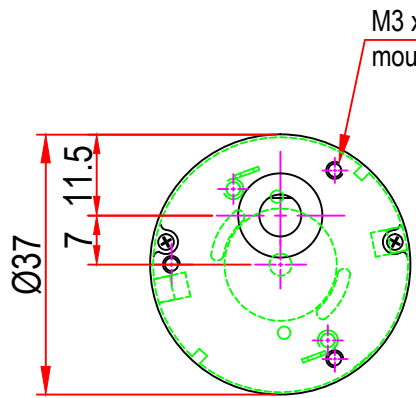


Issue/RevNo	Revision note	Date	Signature	Checked
1.0	Original Issue	01/04/2014	MBM	TNB



Model No	No of Stages	GL
GC - 1	3 - 4	20.6
GC - 2	5 - 6	25.3
GC - 3	7 - 8	29.55



		<b>Motion Drivetrionics Pvt Ltd</b>		
Itemref	DC38GBC	Article No./Reference		
Designed by MBM	Checked by TNB	Approved by TNB	Date 01/04/2014	Scale do not scale
<b>BRAND - MECHTEX</b> Navi Mumbai - 400 709.		<b>Assembly Drawing</b>		
F-MKT-022 VER 3.0			Edition	Sheet 1 of 1