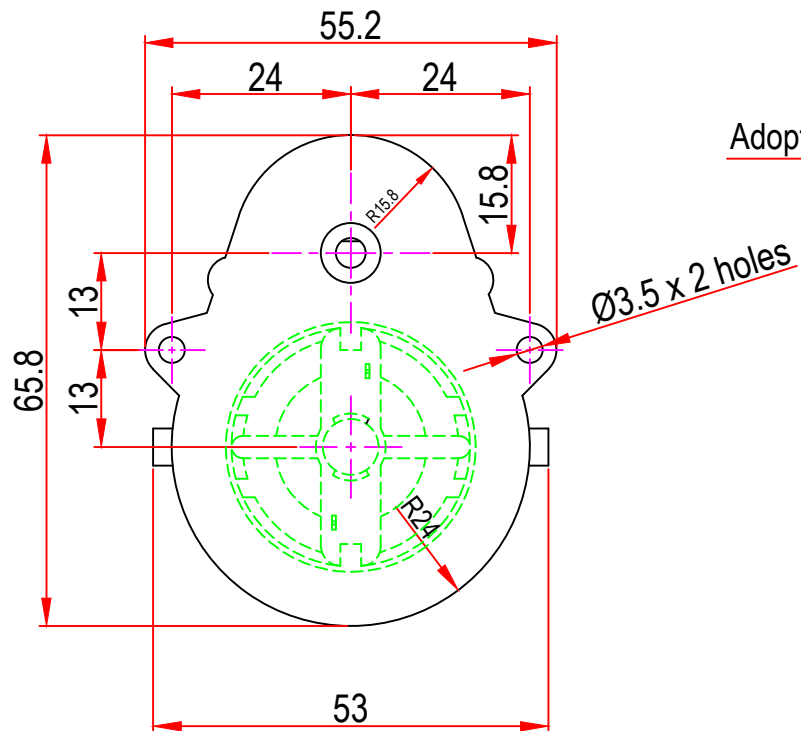


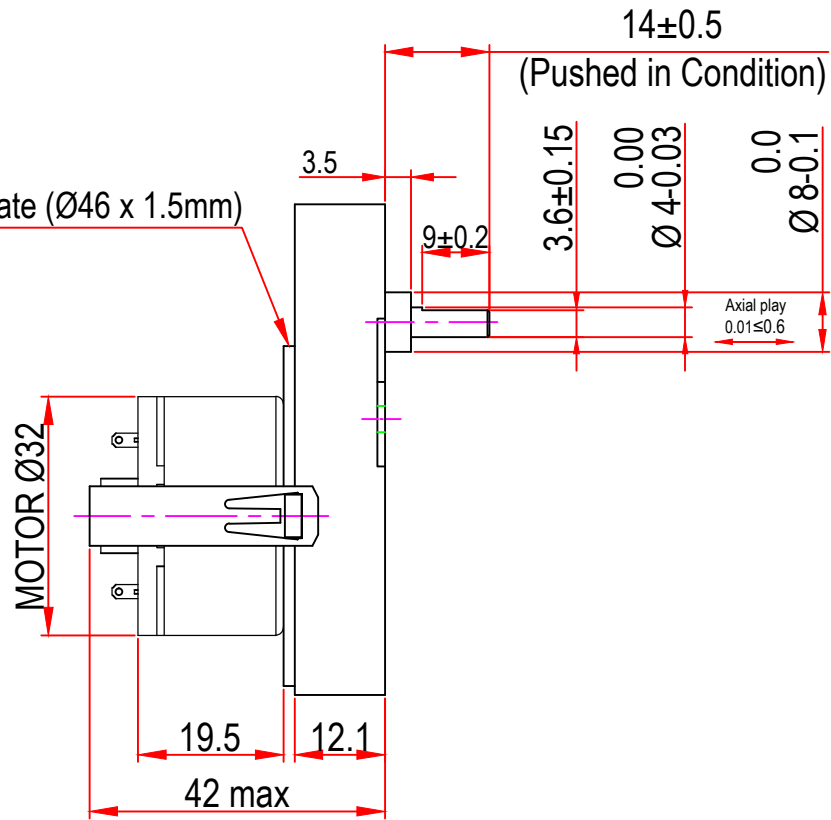
1 2 3 4 5 6 7 8

Issue/RevNo	Revision note	Date	Signature	Checked
1.0	Original Issue	01/04/2014	MBM	TNB

A
B
C
D
E
F



Adopter Plate (Ø46 x 1.5mm)



		Motion Drivetronics Pvt Ltd		
Itemref	DC32GB5H	Article No./Reference		
Designed by MBM	Checked by TNB	Approved by TNB	Date 01/04/2014	Scale do not scale
BRAND - MECHTEX Navi Mumbai - 400 709.		Assembly Drawing		
F-MKT-022 VER 3.0			Edition	Sheet 1 of 1

A
B
C
D
E
F

1 2 3 4 5 6 7 8