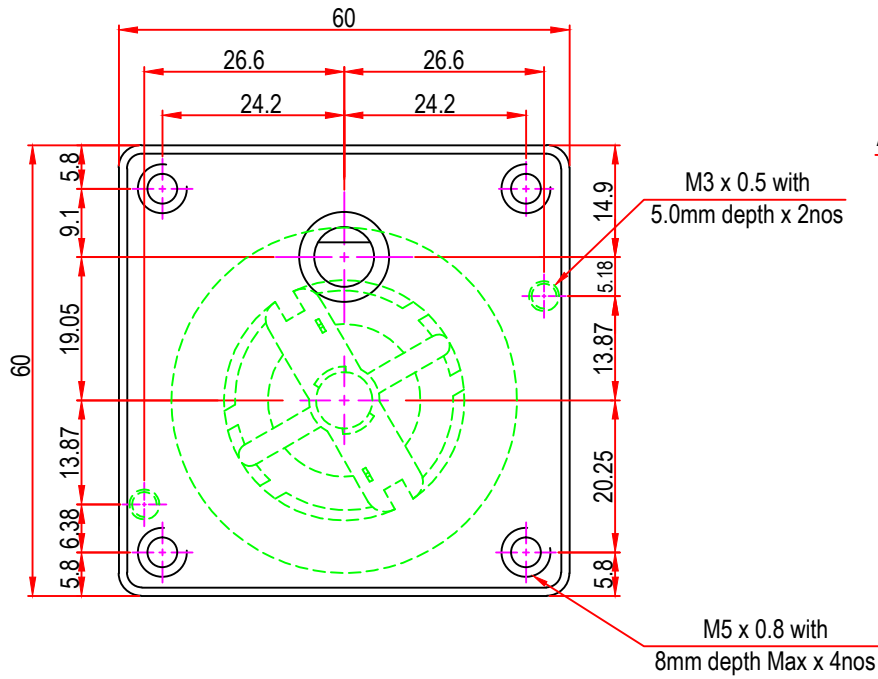
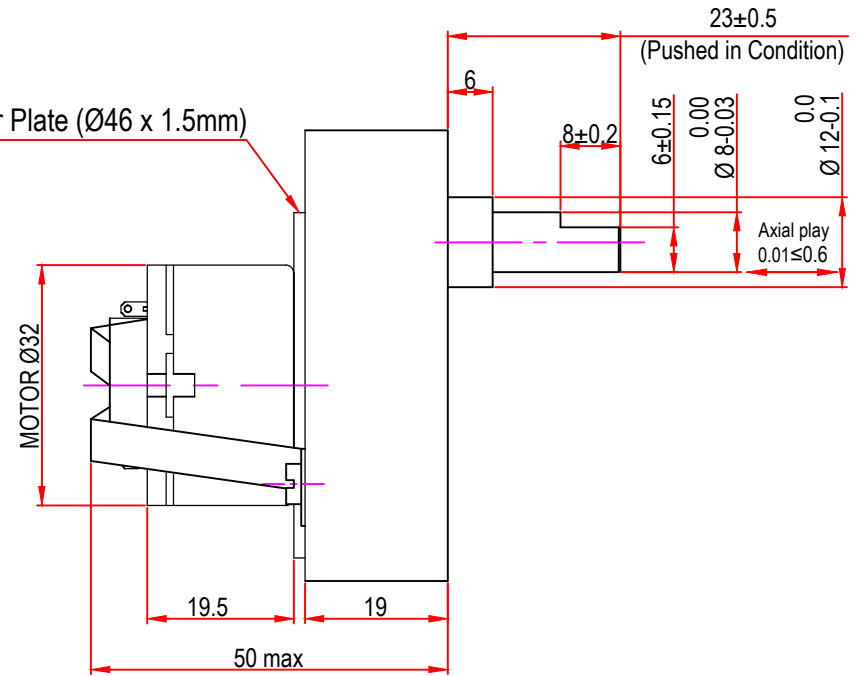



Issue/RevNo	Revision note	Date	Signature	Checked
1.0	Original Issue	01/04/2014	MBM	TNB



Adopter Plate (Ø46 x 1.5mm)



		Motion Drivetronics Pvt Ltd		
Itemref	DC32GB3	Article No./Reference		
Designed by MBM	Checked by TNB	Approved by TNB	Date 01/04/2014	Scale do not scale
BRAND - MECHTEX Navi Mumbai - 400 709.		Assembly Drawing		
F-MKT-022 VER 3.0			Edition	Sheet 1 of 1