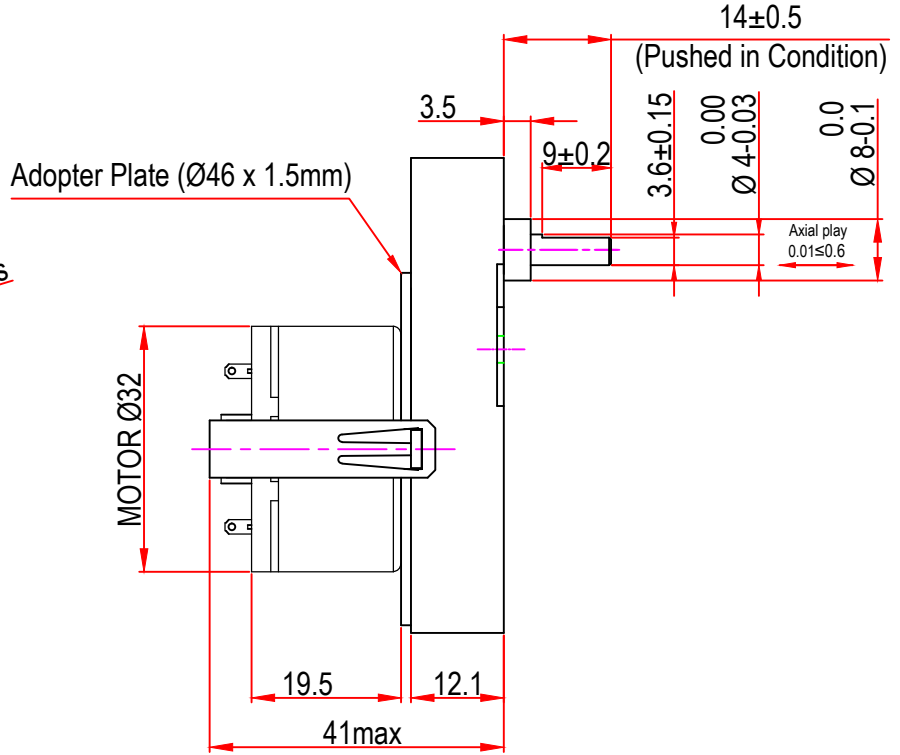
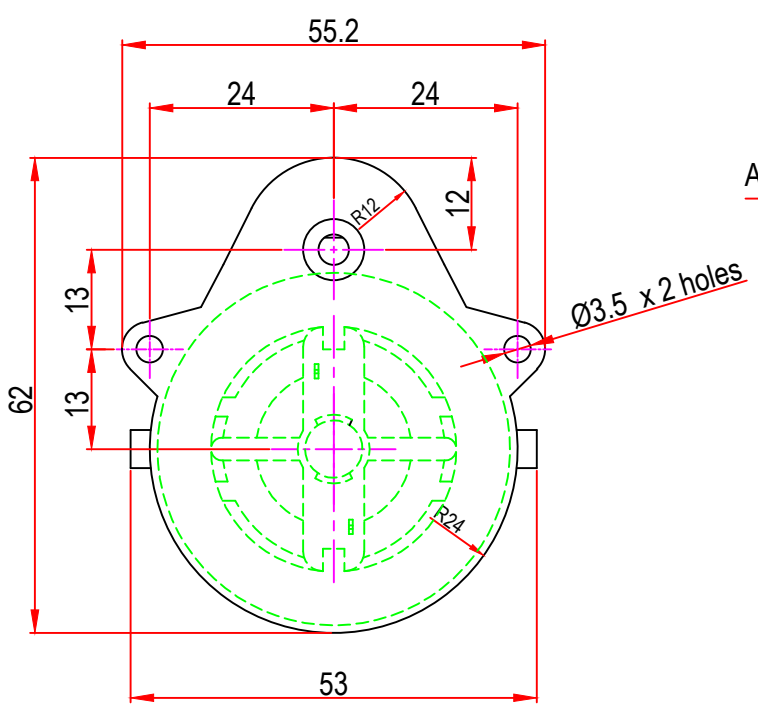



1 2 3 4 5 6 7 8

Issue/RevNo	Revision note	Date	Signature	Checked
1.0	Original Issue	01/04/2014	MBM	TNB



 Motion Drivetrionics Pvt Ltd			
Itemref	DC32GB2	Article No./Reference	
Designed by MBM	Checked by TNB	Approved by TNB	Date 01/04/2014
BRAND - MECHTEX Navi Mumbai - 400 709.		Assembly Drawing	
F-MKT-022 VER 3.0		Edition	Sheet 1 of 1

1 2 3 4 5 6 7 8