

Motor Series **MTS5**

Stepper Motor 15°



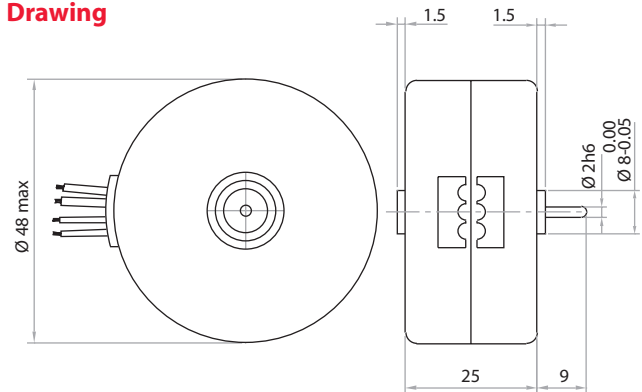
Standard Data

Motor type		Permanent Magnet (PM) stepper motor
Electrical Enclosure	IP	40
Connections		Flexible Leads 26 AWG, 200mm length; ends stripped
Life expectancy		3 years in continuous operation
Weight	g	140
Mounting		Any position by ears or screw clip

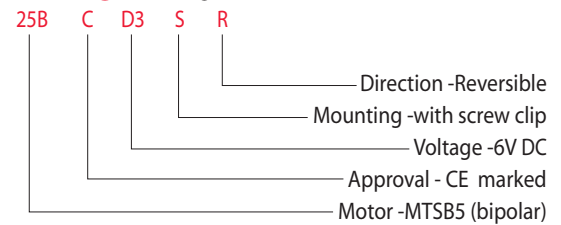
Technical Data

Steps per revolution		48		
Degree/step		1.5		
Winding Type		bipolar		
Standard Voltage	V	6	12	24
Resistance per winding	Ω	15	78	300
Winding Type		unipolar		
Standard Voltage	V	6	12	24
Resistance per winding	Ω	20	78	300
Winding temperature	$^{\circ}\text{C}$	105 max.		
Holding torque	N-cm	2.3	(MTSB5)	2 (MTSU5)
Axial Force	N	2		
Lateral Force	N	4		
Rotor inertia	g-cm^2	6		

Drawing

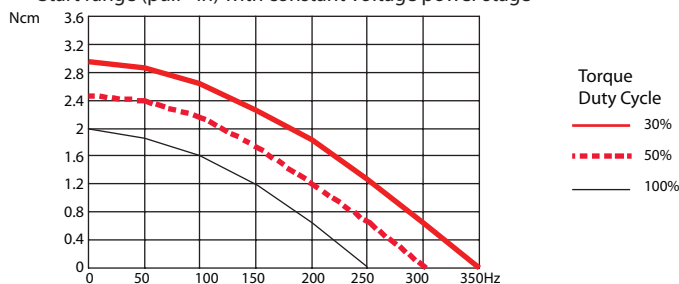


Ordering Data (eg.)

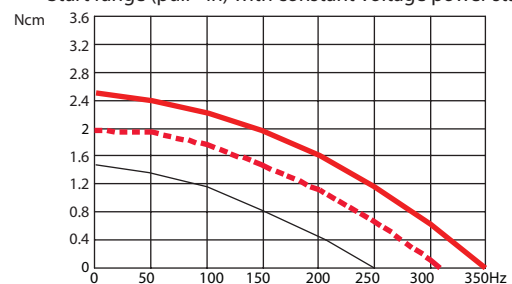


Torque Graphs

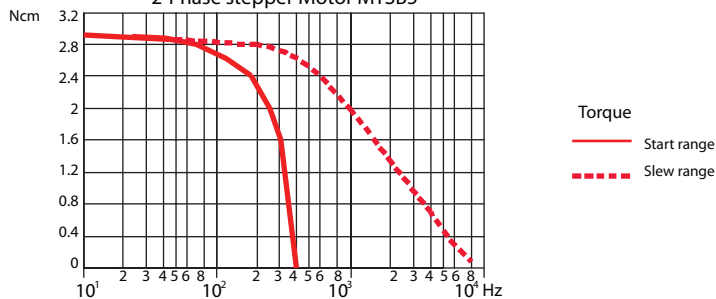
Start range (pull - in) with constant voltage power stage



Start range (pull - in) with constant voltage power stage

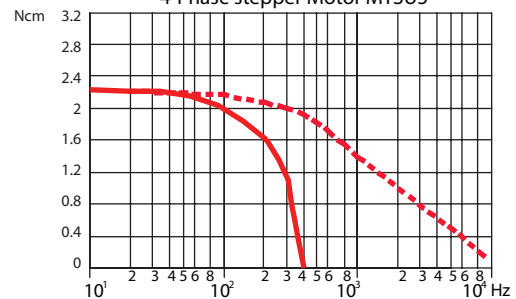


2-Phase stepper Motor MTSB5



Slew range (pull-out) and start range (pull-in) with constant current power stage (chopper Drive)

4-Phase stepper Motor MTSU5



Slew range (pull-out) and start range (pull-in) with constant current power stage (chopper Drive)