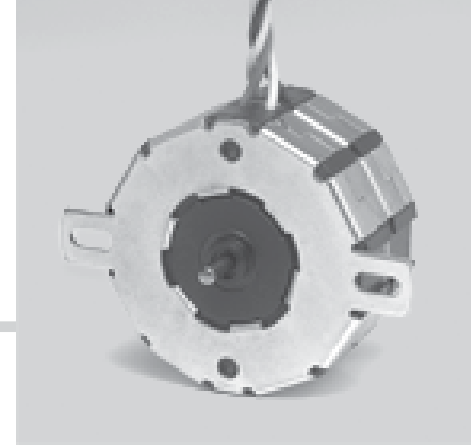


Motor Series **MTS4b**



Stepper Motor 15°

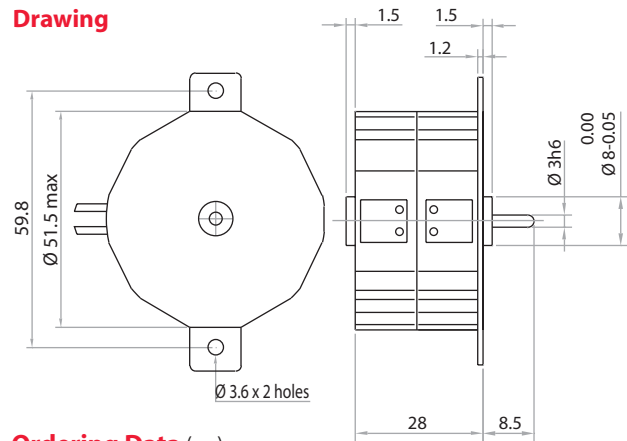
Standard Data

Motor type		Permanent Magnet (PM) stepper motor
Electrical Enclosure	IP	40
Connections		Flexible Leads 22 AWG, 200mm length; ends stripped
Life expectancy		3 years in continuous operation
Weight	g	200
Mounting		Any position by ears or screw clip

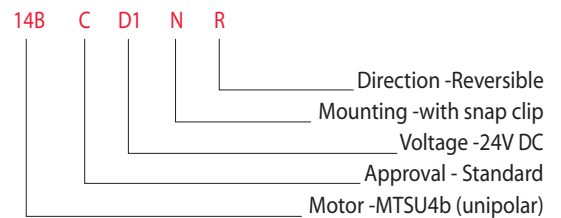
Technical Data

Steps per revolution				24
Degree/step				15
Winding Type				bipolar
Standard Voltage	V	6	12	24
Resistance per winding	Ω	9.5	61	251
Winding Type				unipolar
Standard Voltage	V	6	12	24
Resistance per winding	Ω	15	61	251
Winding temperature	$^{\circ}\text{C}$			105 max.
Holding torque	N-cm	4.5	(MTSB4b)	3.2 (MTSU4b)
Axial Force	N			3
Lateral Force	N			6
Rotor inertia	g-cm ²			13

Drawing

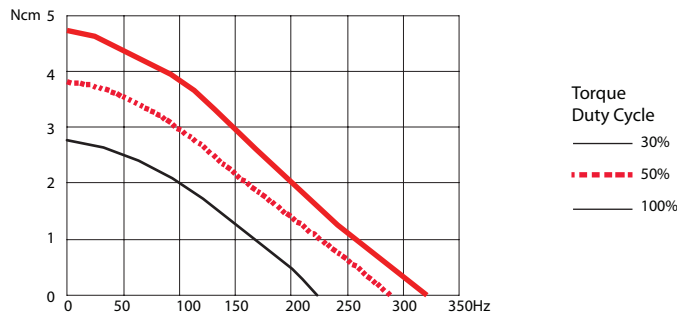


Ordering Data (eg.)

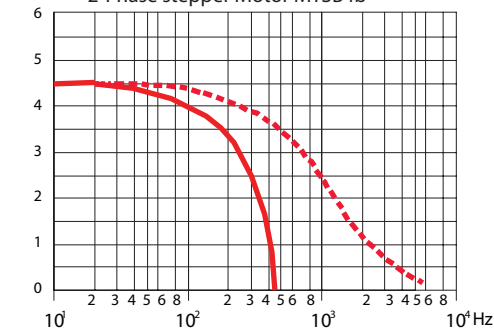


Torque Graphs

Start range (pull - in) with constant voltage power stage

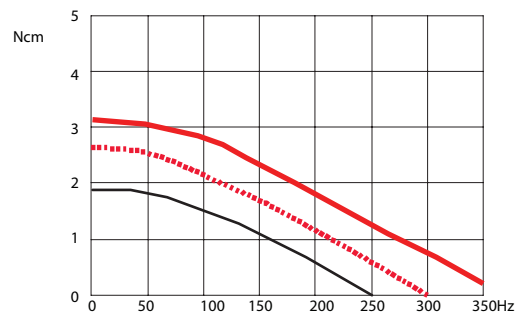


2-Phase stepper Motor MTSB4b

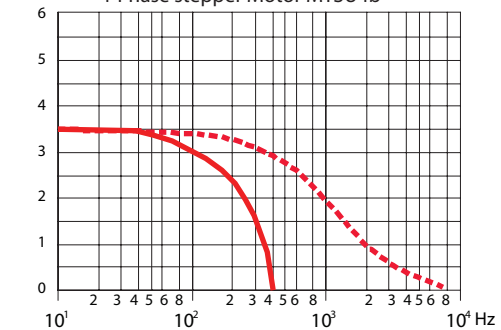


Slew range (pull-out) and start range (pull-in) with constant current power stage (chopper Drive)

Start range (pull - in) with constant voltage power stage



4-Phase stepper Motor MTSU4b



Slew range (pull-out) and start range (pull-in) with constant current power stage (chopper Drive)