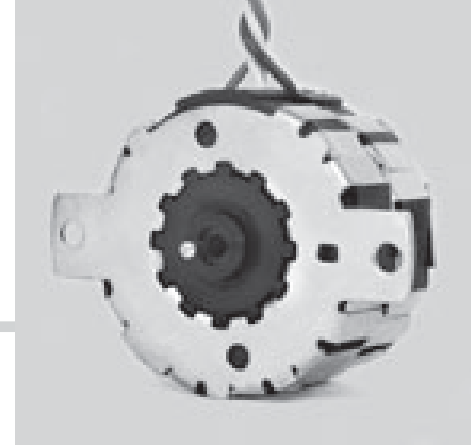


Motor Series MTS3a



Stepper Motor 7.5°

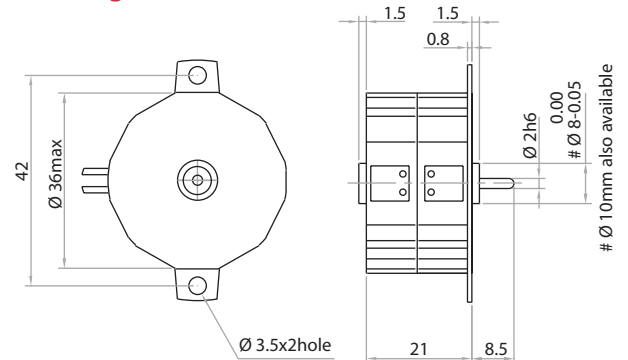
Standard Data

Motor type		Permanent Magnet (PM) stepper motor
Electrical Enclosure	IP	40
Connections		Flexible Leads 26 AWG, 200mm length; ends stripped
Life expectancy		3 years in continuous operation
Weight	g	65
Mounting		Any position by ears or screw clip

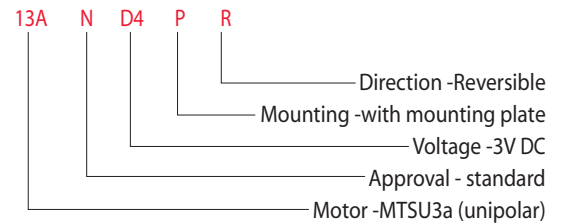
Technical Data

Steps per revolution		48			
Degree/step		7.5			
Winding Type		bipolar			
Standard Voltage	V	3	6	12	24
Resistance per winding	Ω	11.5	18.5	100	460
Winding Type		unipolar			
Standard Voltage	V	3	6	12	24
Resistance per winding	Ω	12	28.5	120	500
Winding temperature	$^{\circ}\text{C}$	105 max.			
Holding torque	N-cm	1.3 (MTSB3a)	1 (MTSU3a)		
Axial Force	N	1			
Lateral Force	N	3			
Rotor inertia	g-cm ²	2.9			

Drawing

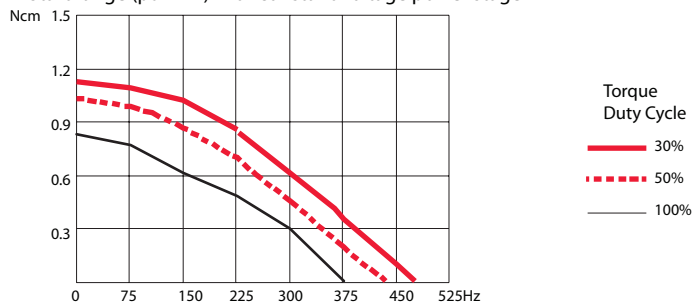


Ordering Data (eg.)

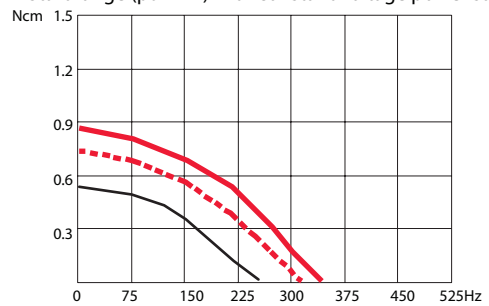


Torque Graphs

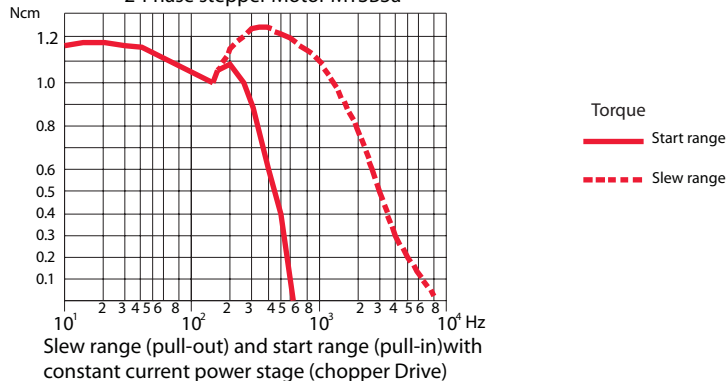
Start range (pull - in) with constant voltage power stage



Start range (pull - in) with constant voltage power stage



2-Phase stepper Motor MTSB3a



4-Phase stepper Motor MTSU3a

