

Gear Series **GBB**

Spur Reduction Gearhead - 0.5 Nm



Design

The gearhead GB B is a spur reduction gearhead with 33mm OD & OFF centre shaft meant specially for DC motors with diameters up to 33 mm. It has a possibility of 5 to 8 stage reduction with initial stages are poly-acetal gears & final stages will be steel sintered. All bearings are permanently lubricated & therefore require no maintenance. Motor is attached to gear box by means of screws. The nominal torque rating for this gearhead is 0.5 Nm with peak torque range up to 0.8 Nm. This gearhead has been categorised in 2 different housing sizes as per gear reduction for 6 to 8 stages.

Technical Data

| | | |
|---------------------------------|----|---|
| Gear Type | | Spur Reduction (1st pair helical) |
| Gear Torque | Nm | 0.5 |
| Combination with Mechtex motors | | DC24 / DC28 / D32 / DC30* others on request |
| Mounting | | any position ; preferably with shaft horizontal |
| Weight | g | Variable with reduction stages (140 approx) |
| Axial thrust | N | 15 |
| Lateral force | N | 50 |
| Radial torque | Nm | 0.6 |
| Output bearing | | Sintered Bronze |
| Output shafts | Ø | dia.5 x 12 mm (with a flat) |
| Ambient temperature operation | °C | -15...+ 55 |
| Enclosure | IP | 30 |

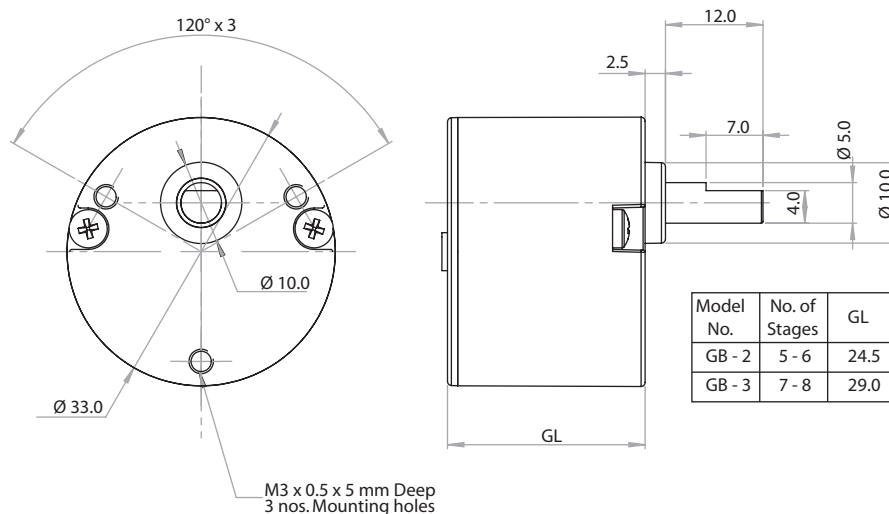
Transmission Ratios

GB-2 - 72.92*, 125, 182.3*, 312.5

GB-3 - 455.73*, 781.25, 1139.32*, 1953.125

* Possible to mount DC30 motor with these ratios only.

Dimensional Drawing



Photographs

