

Gear Series GB7

Spur Reduction Gearhead - 5 Nm



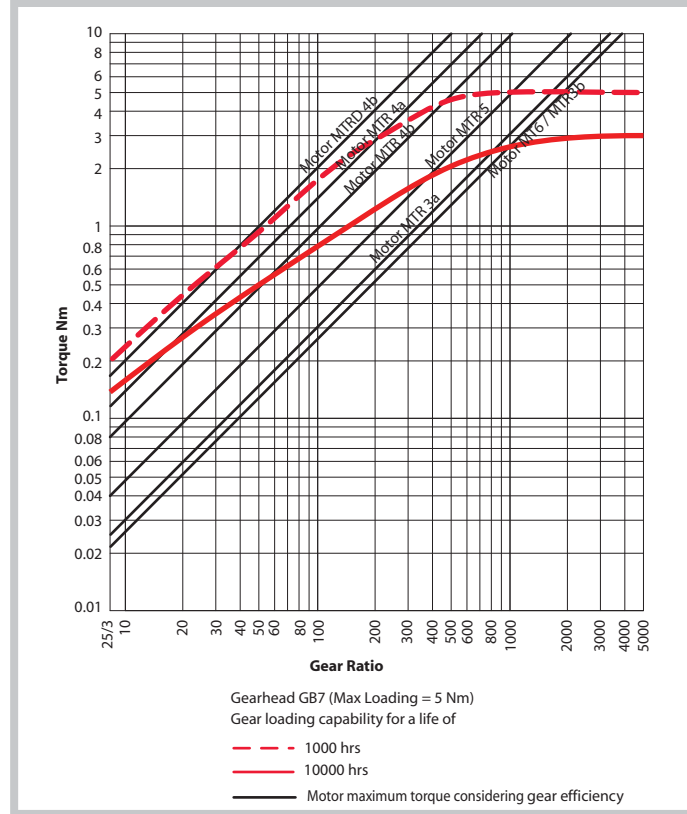
Design

Gearhead GB7 contains heavily loaded steel gear wheels. The spur gears rotate on fixed steel spindles which are hardened and polished to a mirror finish. The thick output shaft rotates in robust sintered bushings. All the gears are housed in a pressure die cast housing & closed by metal plates. All bearings are permanently lubricated and therefore require no maintenance. Economical versions with poly-acetal or sintered gears available. This gear box can also be combined with small to medium sizes of DC motors (upto dia 36.) Output shaft can be emerging from the rear side or both sides.

Technical Data

Gear Type		Spur Reduction
Gear Torque	Nm	5
Combination with Mechtex motors		MT0, MT6, MTR/S-5, MTR/S3a/3b, MTR/S4a/4b MTR/SD4b-RE & DC motors(upto dia38)
Mounting		any position
Weight	g	300
Axial thrust	N	100
Lateral force	N	400
Radial torque	Nm	4
Slipping clutches/free wheel		available for certain ratios
Output bearing		Sintered bronze
Output shafts	Ø	dia. 8 x 16 mm (with a flat), others on request
Ambient temperature operation	°C	-15...+ 55
Enclosure	IP	30

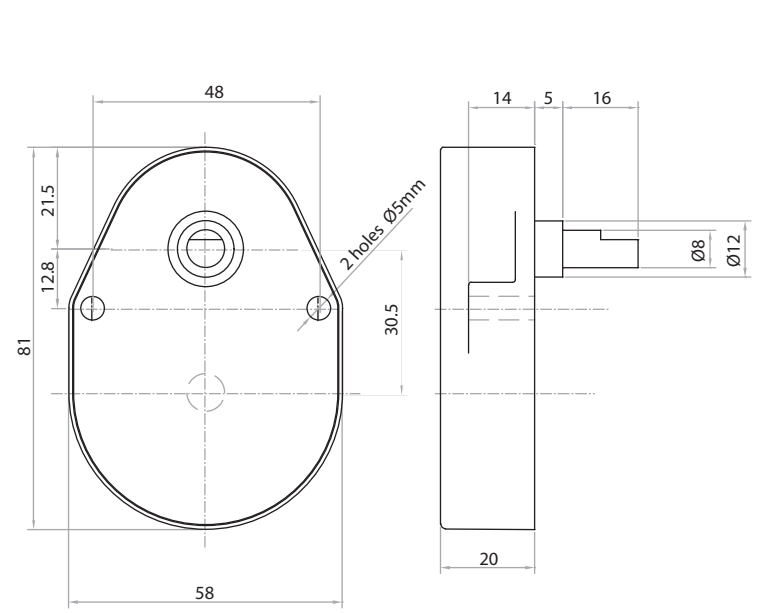
Torque/Transmission Ratio/Life Graph



Transmission Ratios

For Transmission Ratios refer to page nos. 6 & 7.

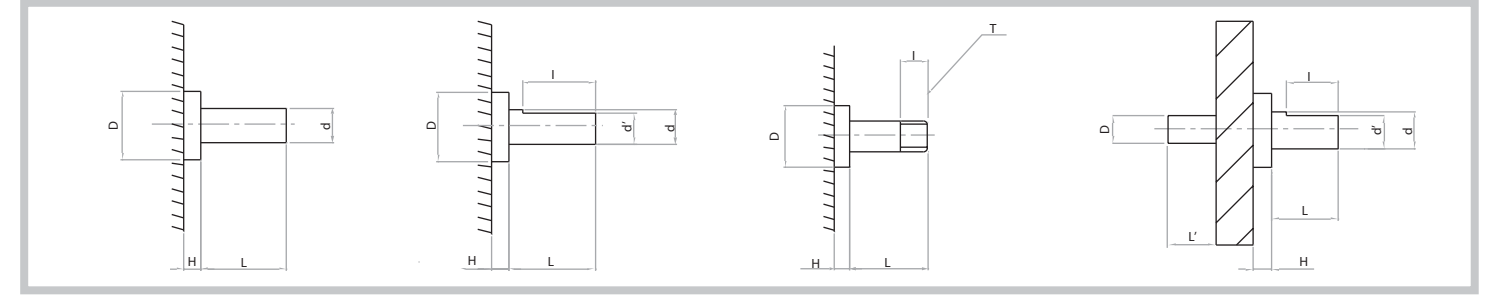
Dimensional Drawing



Gear Series GB7

Spur Reduction Gearhead - 5 Nm

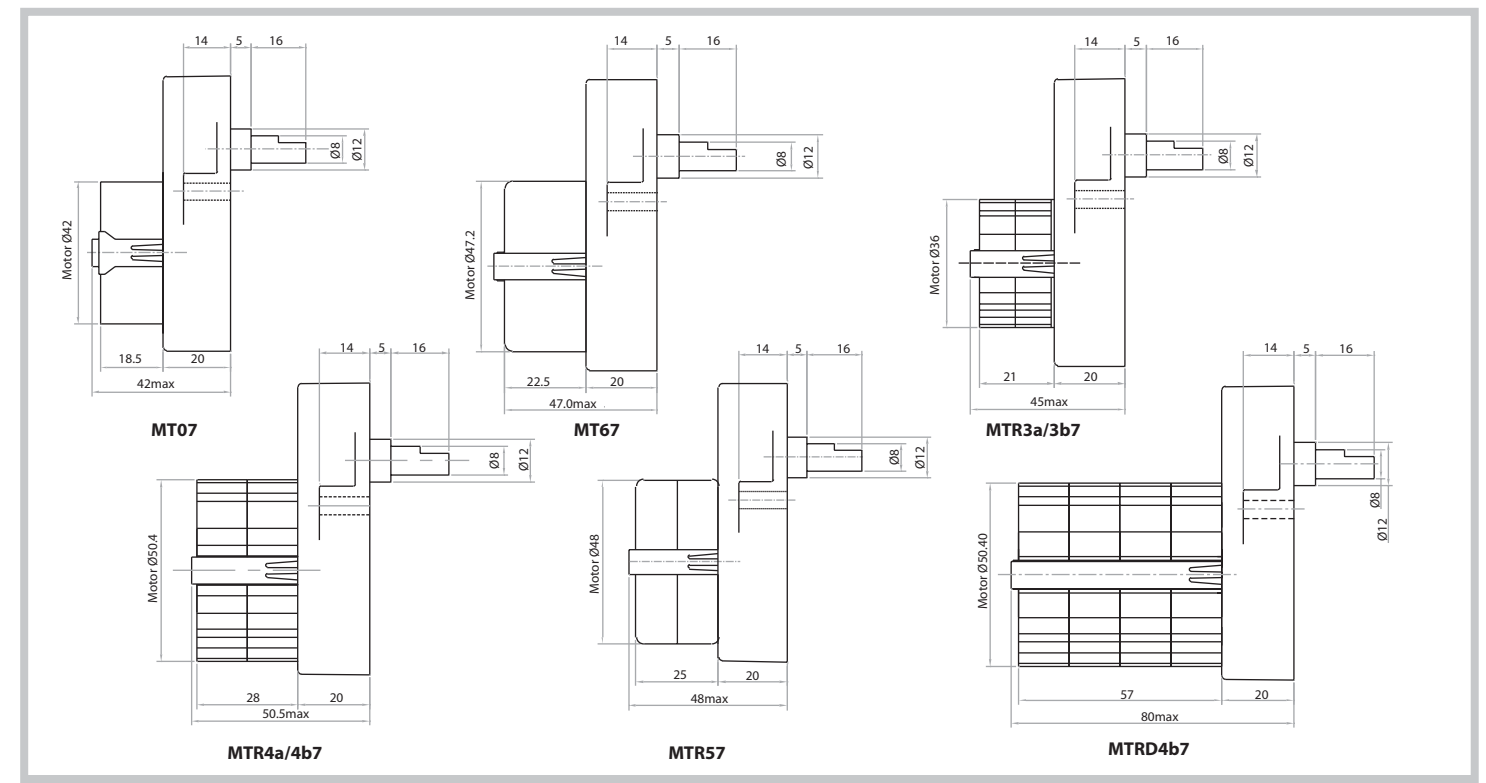
Shaft Drawings



Shaft Type Catalogue

Shaft type	D	H	d (dia)	L	l	d'	h	Q	h
S	12	5	8	16	8	6			
A	12	5	8	26	18	6			
B	12	5	8	16	8	6	12.5	6.35	
C	12	5	8	16	9	6			3

Drawings



Photographs

