

# Gear Series GB5H

Spur Reduction Gearhead - 1 Nm



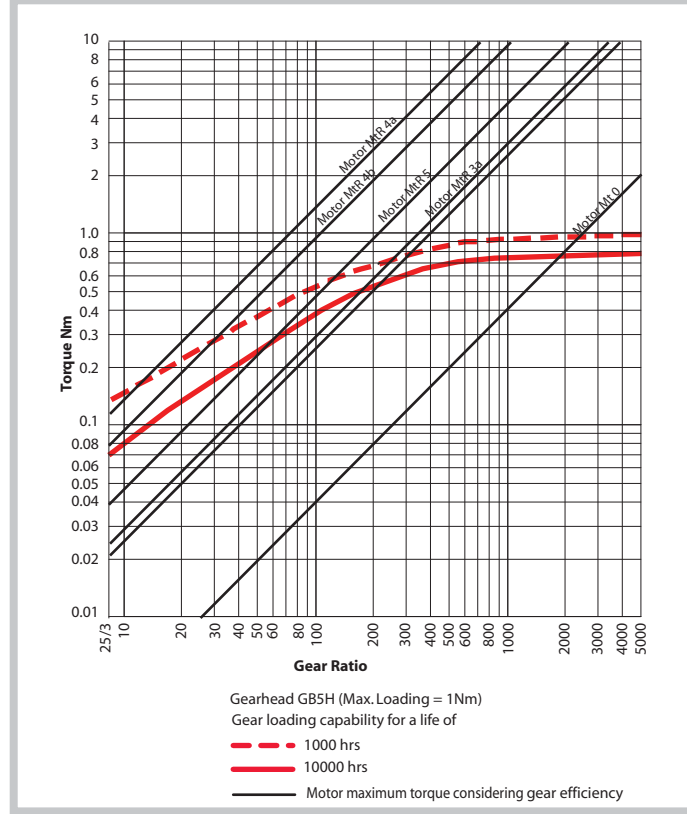
### Design

Gearhead GB5H, a moderately priced gearhead, is specially designed to cater to heavy duty application in a small frame. This is a multi step gear box with all thick metal gears that rotate on steel spindles which are polished to a mirror-finish and introduced between metal plates with a plastic frame. All bearings are permanently lubricated and therefore require no maintenance. Motor is attached to the gear box by means of spring clip. Thicker shafts (Ø6-7mm) mounted in robust bushings (Ø12mm) are available in a new variant (GB5H). GB5H can also be combined with small DC Motors, To achieve higher gear torque, GB5H can be mounted on GB4, GBW & GBX

### Standard Data

Gear Type		Spur Reduction
Gear Torque	Nm	1
Combination with Mechtex motors		MT0,MT6,MTR/S3a/3b,MTR/S-5,MTR/S4a/4b and small DC motors
Mounting		any position
Weight	g	65
Axial thrust	N	20
Lateral force	N	100
Radial torque	Nm	1.5
Slipping clutches/free wheel		not available
Output bearing		Brass sleeve bushings, Sintered bronze (on request)
Output shafts	Ø	3.175,4.00,4.76,5.00,6.00 & 7..00 (others on request)
Ambient temperature operation	°C	-15...+ 55
Enclosure	IP	40

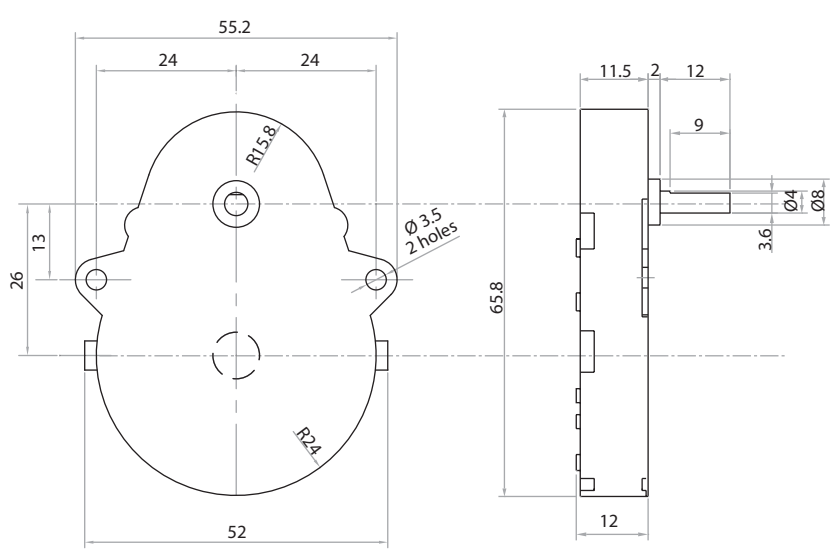
### Torque/Transmission Ratio/Life Graph



### Transmission Ratios

For Transmission Ratios refer to page nos.6 & 7.

### Dimensional Drawing



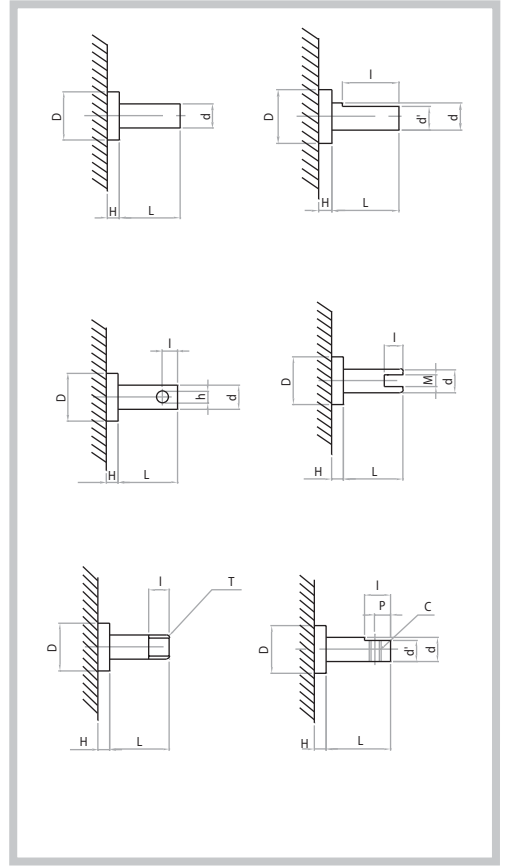
# Gear Series GB5H

Spur Reduction Gearhead - 1 Nm

### Shaft Type Catalogue

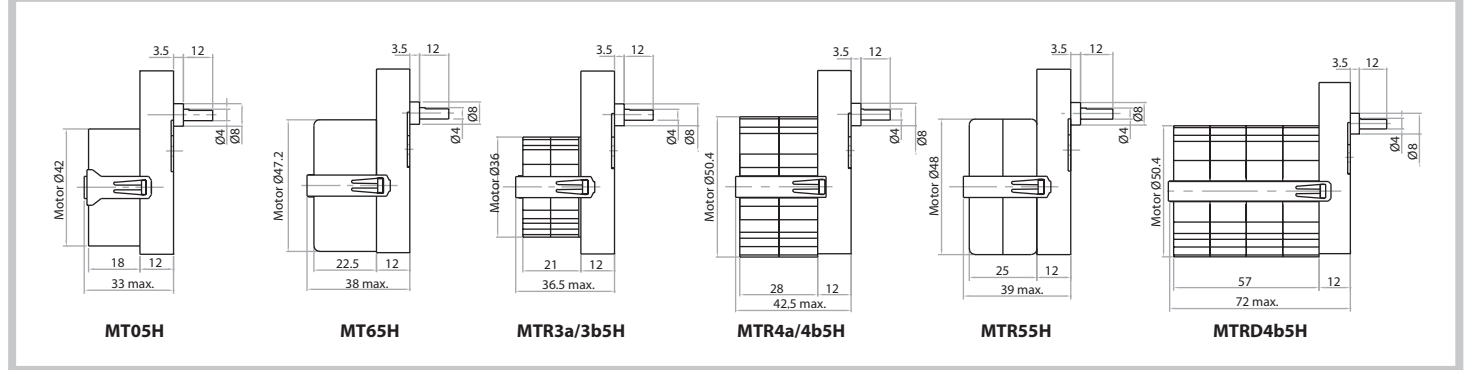
Shaft type	D	H(+)	Shaft Diam. d	L	l	d'	P	M	T	h	C
S	6.35*	2	3.175	12	9	2.8					
A	8	2	3.175	9	6	2.8					
B	8	2	3.175	16	13	2.8					
C	8	2	3.175	21	18	2.8					
D	8	2	4	12	9	3.6					
E	8	2	4	16	13	3.6					
F	8	2	4	21							
G	6.35*	2	4.764	12	9	4.2					
H	6.35*	2	4.764	16	13	4.2					
I	6.35*	2	4.764	20	11	4.2					
J	6.35*	2	4.764	22	19	4.2					
K	6.35*	2	4.764	25.5	20	4.2					
L	6.35*	2	4.764	8	6	4.2					
M	8	2	3.175	12	11.5				1/8"		
N	8	2	6.35	12	7			3			
O	8	2	4	21	10					2	
P	8	2	4	10							
Q	8	3.5	5	19	5.5					2	
R	12	3	6	15	10	5.4					
T	12	3	6	21	16	5.4					
U	12	3	6	26	18	5.4					
V	12	3	6	52							
W	12	3	7	22	17	6	9				M4
X	12	3	7	15	10	6.3					
Y	12	3	7	21	15	5					
Z	12	3	7	21							
a	12	3	7	26	18	6.3					
b	12	3	7	52							
c	12	3	7	39.5	34	5.4					

### Shaft Drawings



Note: '+' 3.5 mm also possible

### Drawings



### Photographs

