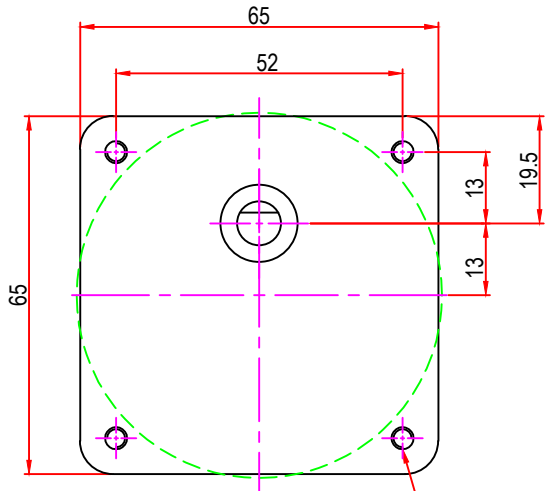
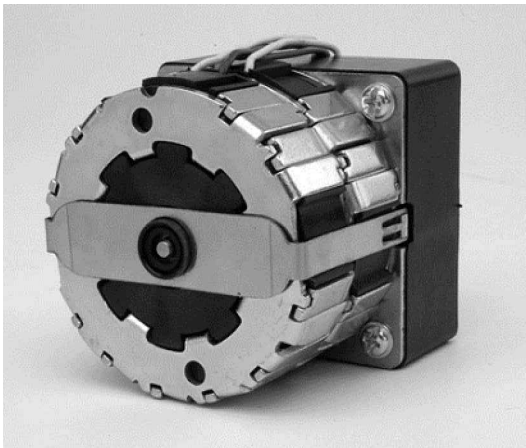
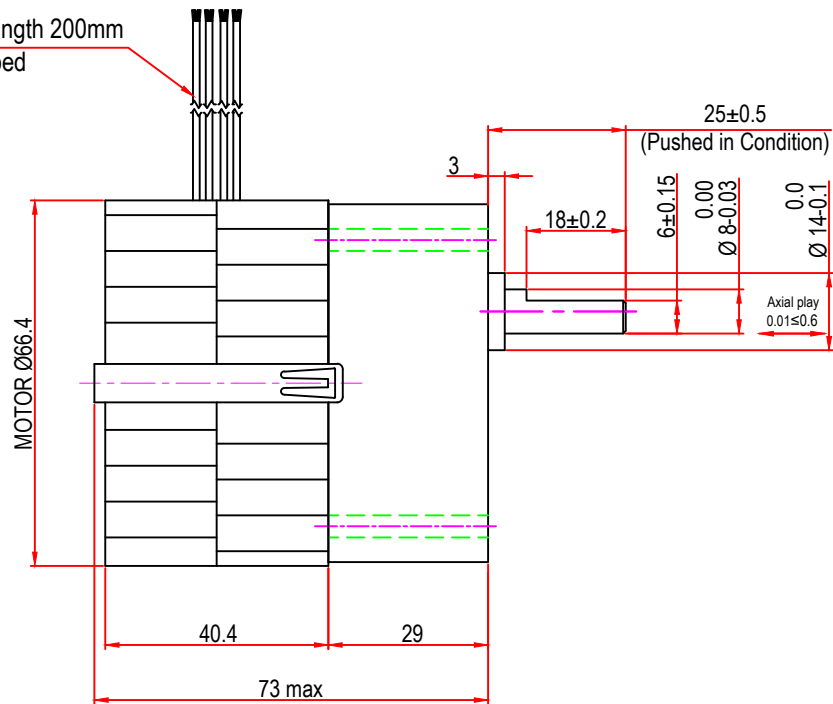


Issue/RevNo	Revision note	Date	Signature	Checked
1.0	Original Issue	01/04/2014	MBM	TNB



M4 x 0.7 With 10.0mm depth x 4nos.
Other on request.

22 AWG Leads length 200mm
10mm ends stripped



		Motion Drivetrionics Pvt Ltd		
Itemref	MTS8cV	Article No./Reference		
Designed by	Checked by	Approved by	Date	Scale
MBM	TNB	TNB	01/04/2014	do not scale
BRAND - MECHTEX Navi Mumbai - 400 709.		Assembly Drawing		
F-MKT-022 VER 3.0		Edition	Sheet	
			1 of 1	