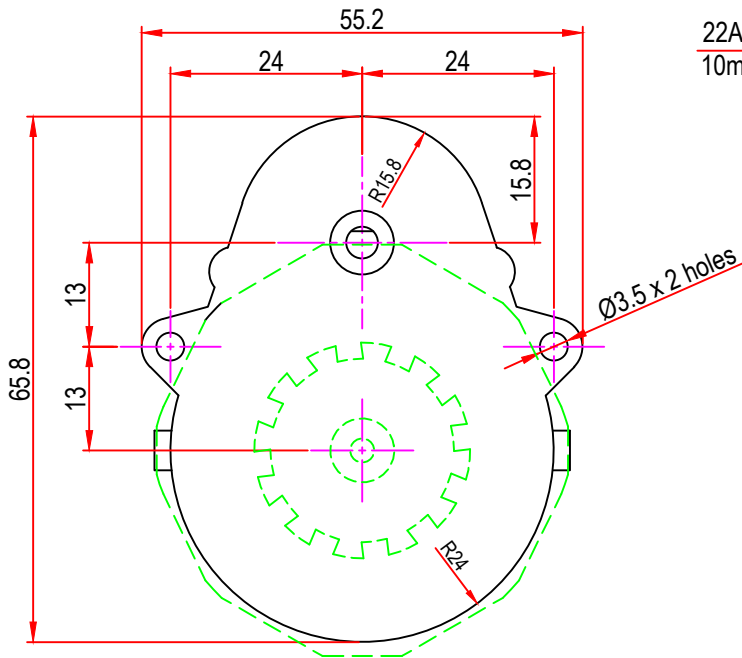
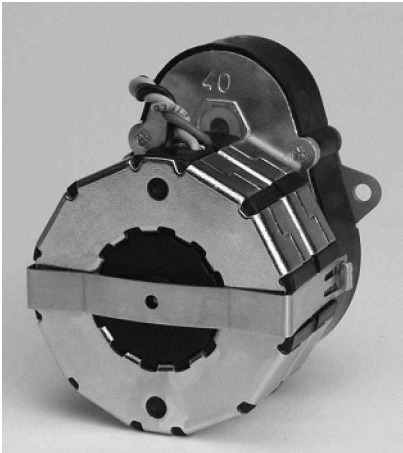
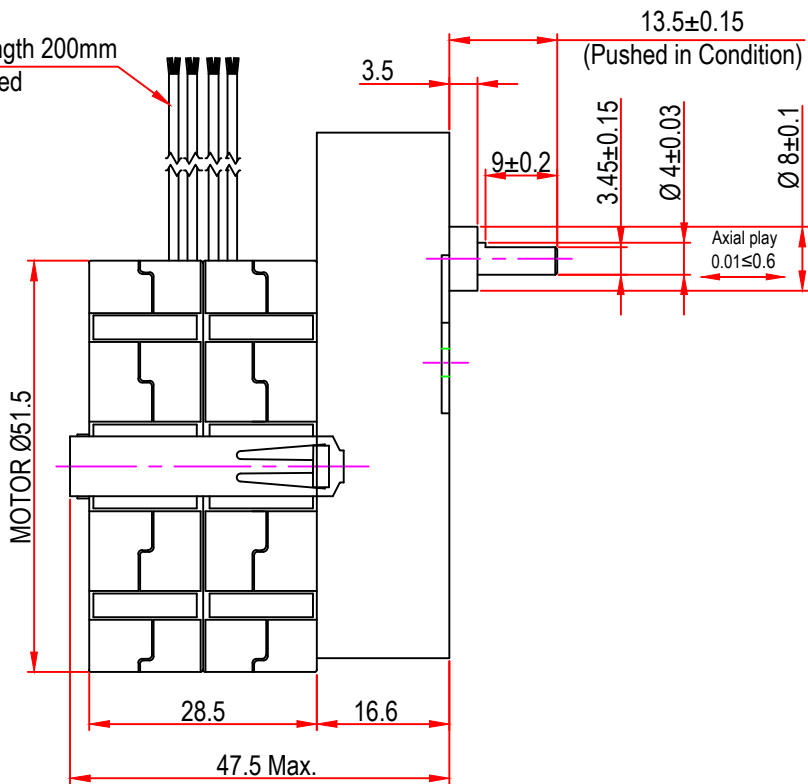



Issue/RevNo	Revision note	Date	Signature	Checked
1.0	Original Issue	01/04/2014	MBM	TNB



22AWG Leads length 200mm  
10mm ends stripped



 <b>Motion Drivetronics Pvt Ltd</b>			
Itemref	<b>MTS4a5P</b>	Article No./Reference	
Designed by MBM	Checked by TNB	Approved by TNB	Date 01/04/2014
<b>BRAND - MECHTEX</b> Navi Mumbai - 400 709.		<b>Assembly Drawing</b>	
F-MKT-022 VER 3.0		Edition	Sheet 1 of 1