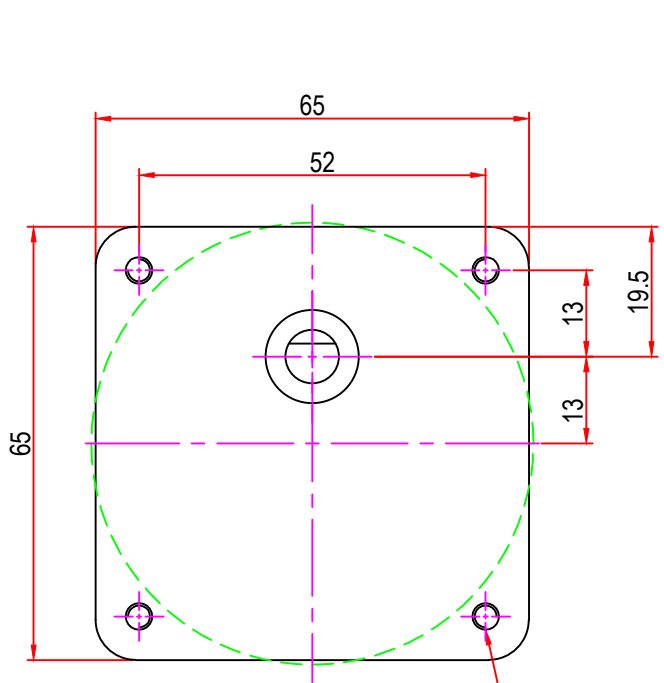
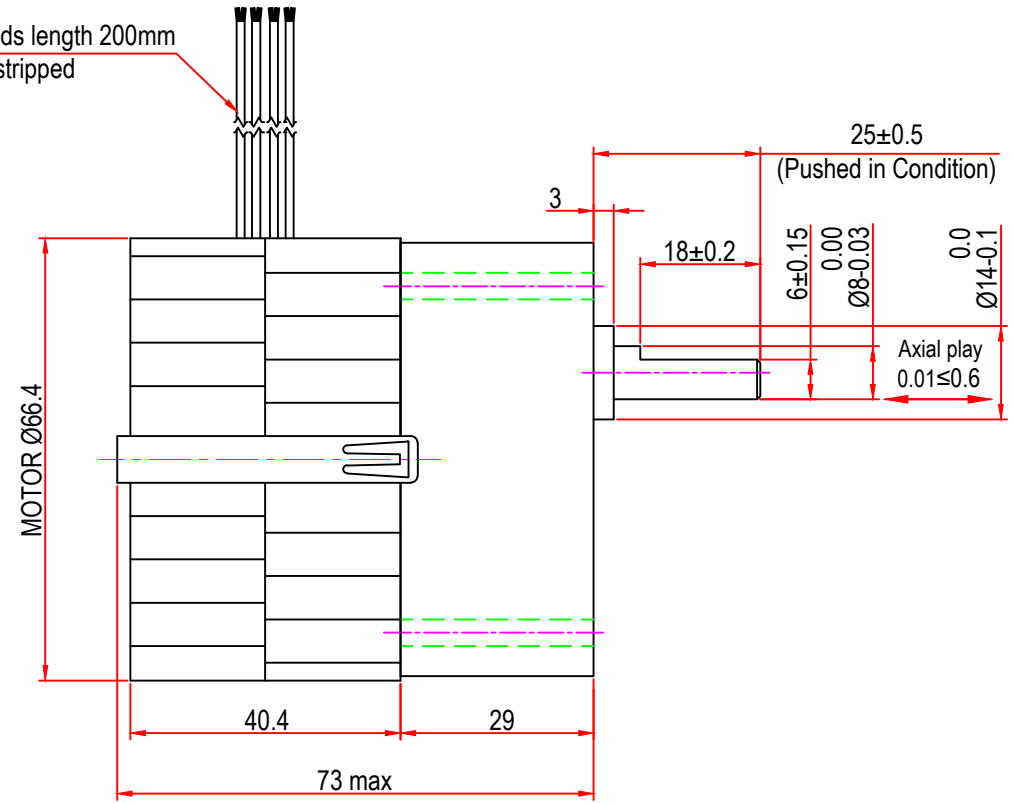


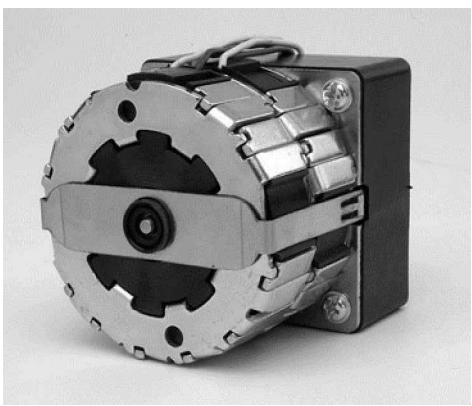
| Issue/RevNo | Revision note  | Date       | Signature | Checked |
|-------------|----------------|------------|-----------|---------|
| 1.0         | Original Issue | 01/04/2014 | MBM       | TNB     |



22 AWG Leads length 200mm  
10mm ends stripped



M4 x 0.7 With 10.0mm depth x 4nos.  
Other on request.



|   |            |                              |              |              |
|---|------------|------------------------------|--------------|--------------|
|   |            | Motion Drivetrionics Pvt Ltd |              |              |
| Itemref                                   | MTR8cV     | Article No./Reference        |              |              |
| Designed by                               | Checked by | Approved by                  | Date         | Scale        |
| MBM                                       | TNB        | TNB                          | 01/04/2014   | do not scale |
| BRAND - MECHTEX<br>Navi Mumbai - 400 709. |            | Assembly Drawing             |              |              |
| F-MKT-022 VER 3.0                         |            | Edition                      | Sheet 1 of 1 |              |