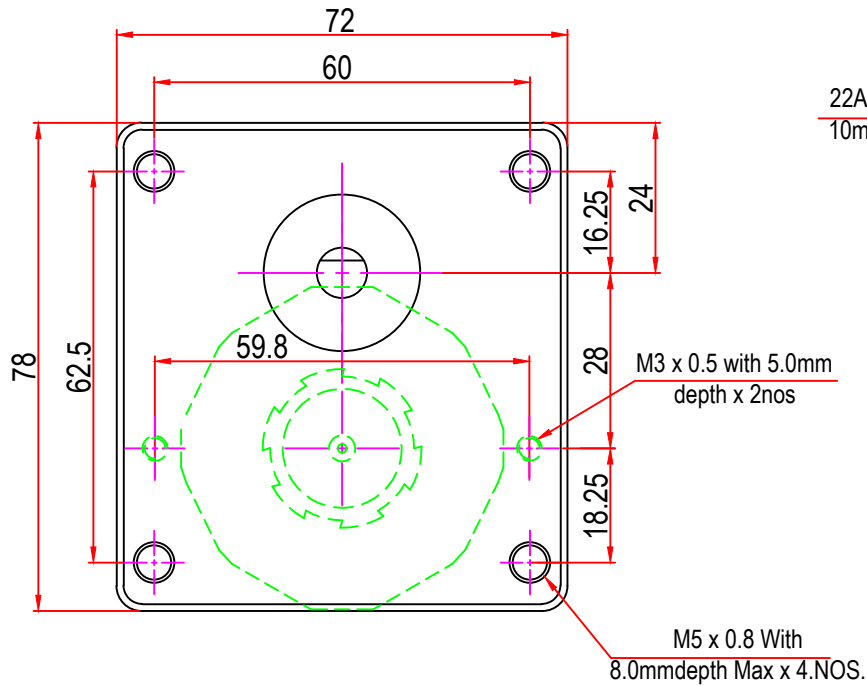
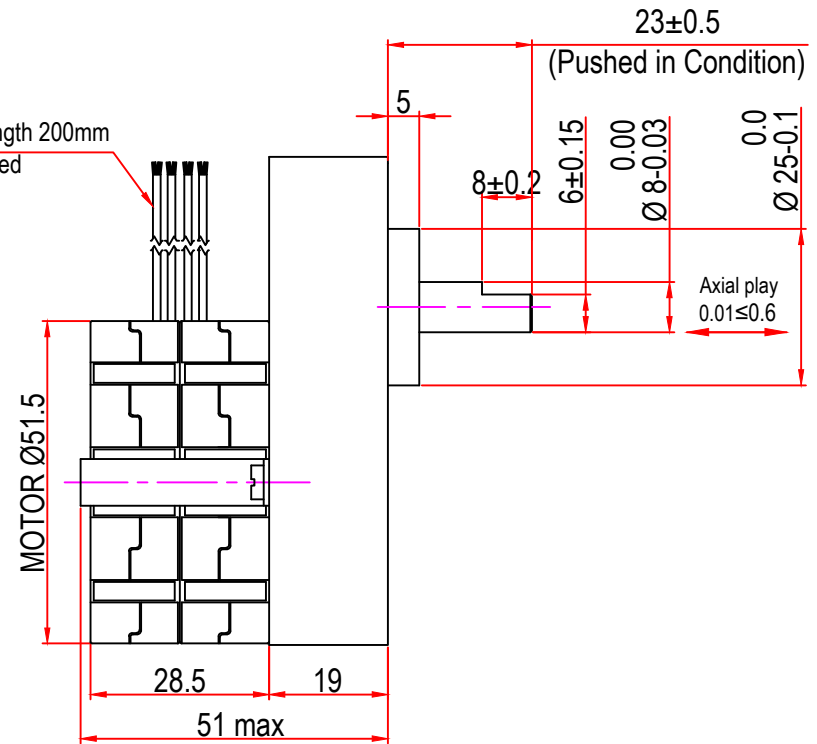


| Issue/RevNo | Revision note  | Date       | Signature | Checked |
|-------------|----------------|------------|-----------|---------|
| 1.0         | Original Issue | 01/04/2014 | MBM       | TNB     |



22AWG Leads length 200mm  
10mm ends stripped



|   |                   |                              |                    |                       |
|---|-------------------|------------------------------|--------------------|-----------------------|
|   |                   | Motion Drivetrionics Pvt Ltd |                    |                       |
| Itemref                                   | MTR4b4            | Article No./Reference        |                    |                       |
| Designed by<br>MBM                        | Checked by<br>TNB | Approved by<br>TNB           | Date<br>01/04/2014 | Scale<br>do not scale |
| BRAND - MECHTEX<br>Navi Mumbai - 400 709. |                   | Assembly Drawing             |                    |                       |
| F-MKT-022 VER 3.0                         |                   | Edition                      | Sheet<br>1 of 1    |                       |