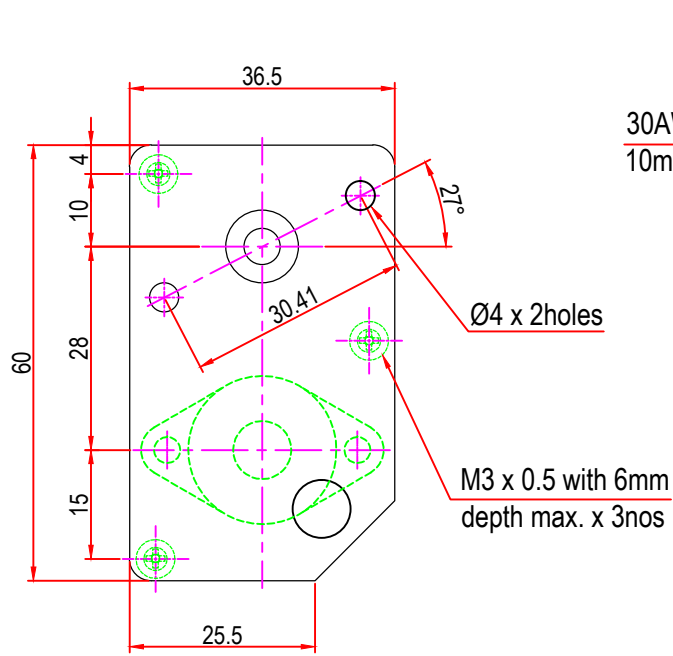
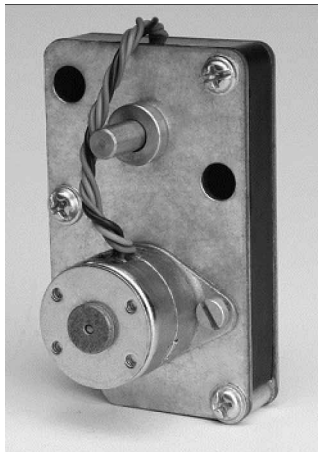
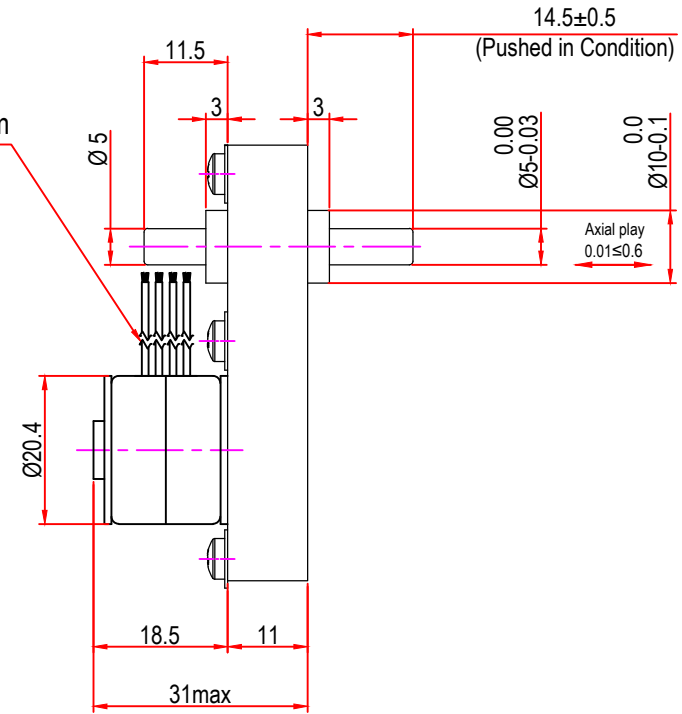



Issue/RevNo	Revision note	Date	Signature	Checked
1.0	Original Issue	01/04/2014	MBM	TNB



30AWG Leads length 200mm
10mm ends stripped



 Motion Drivetronics Pvt. Ltd.		
Itemref	MTR2bGBL	Article No. / Reference
Designed by MBM	Checked by : TNB	Approved by : TNB
BRAND - MECHTEX Navi Mumbai - 400 709.		Assembly Drawing
F-MKT-022 VER 3.0		Date : 01/04/2014 Scale do not scale Edition Sheet 1 of 1