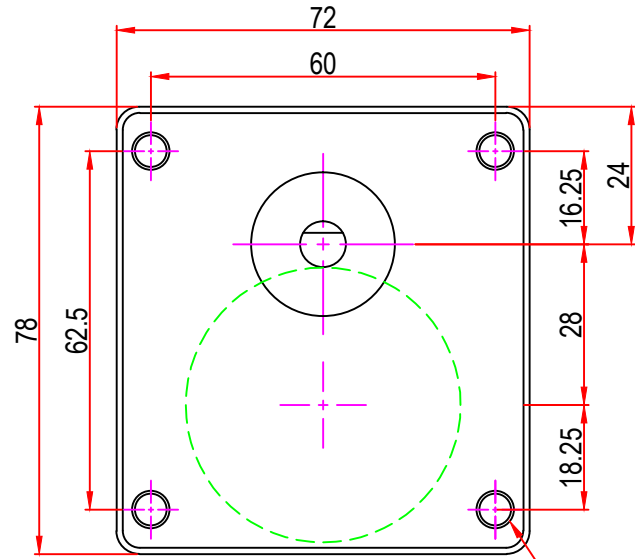
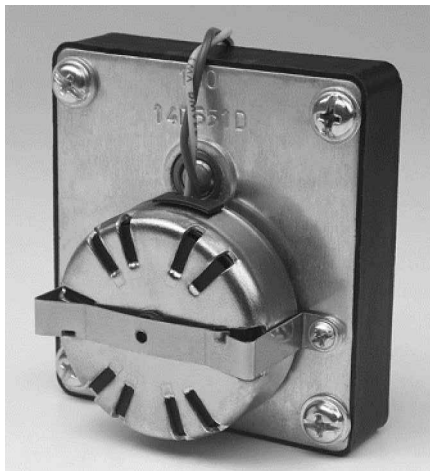
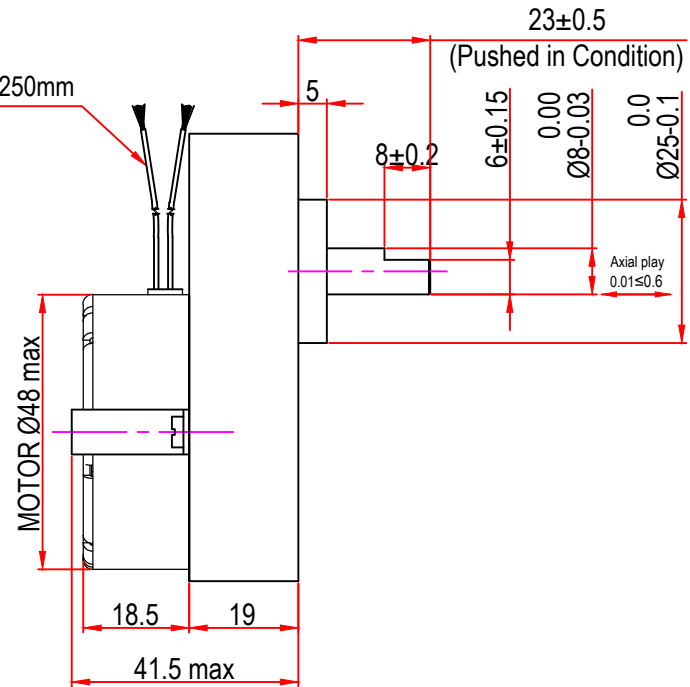



Issue/RevNo	Revision note	Date	Signature	Checked
1.0	Original Issue	01/04/2014	MBM	TNB



M5 x 0.8 with
8.0mm depth max x 4nos.

22AWG Leads length 250mm
10mm end stripped



 Motion Drivetrionics Pvt Ltd				
Itemref	Client	Article No./Reference		
Designed by MBM	Checked by TNB	Approved by TNB	Date 01/04/2014	Scale do not scale
BRAND - MECHTEX Navi Mumbai - 400 709.		MT6b4		
F-MKT-022 VER 3.0		Assembly Drawing		Edition Sheet 1 of 1