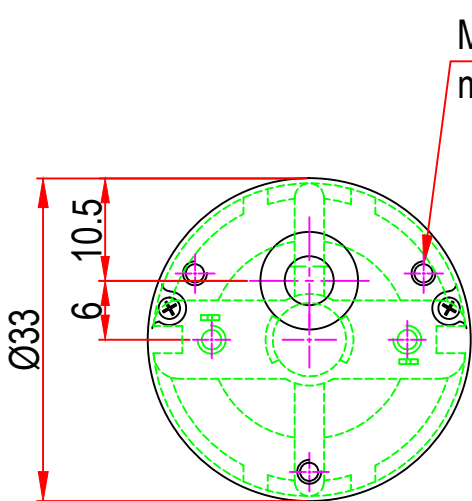
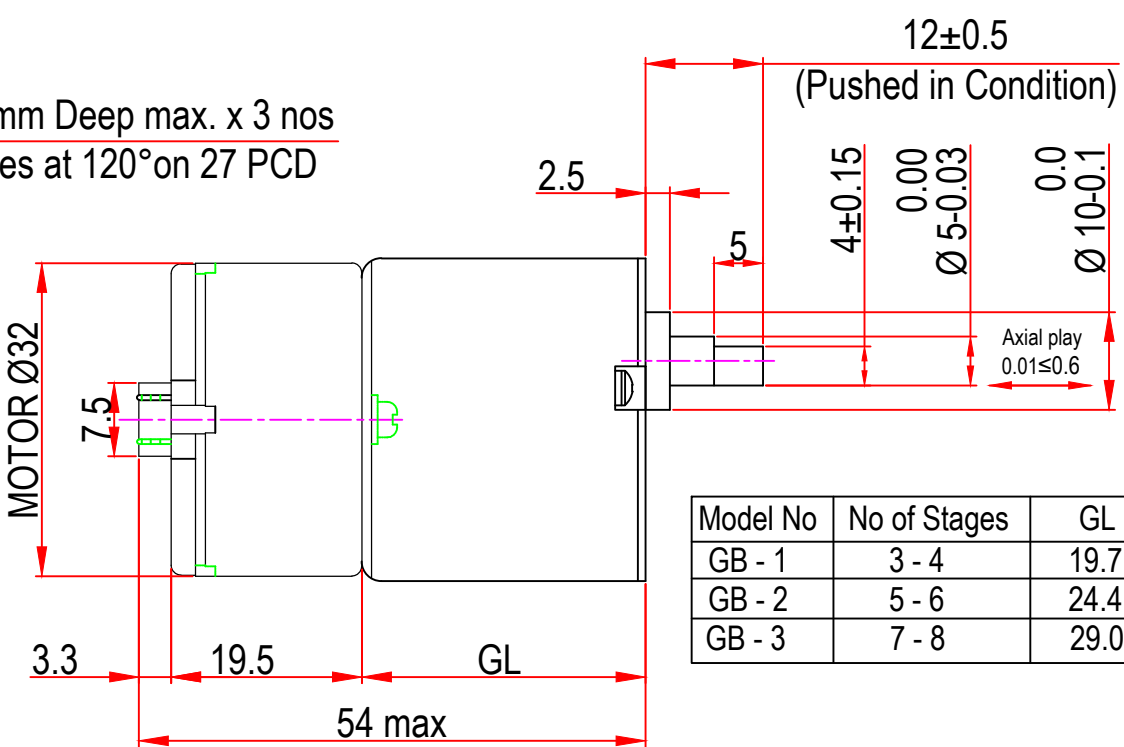


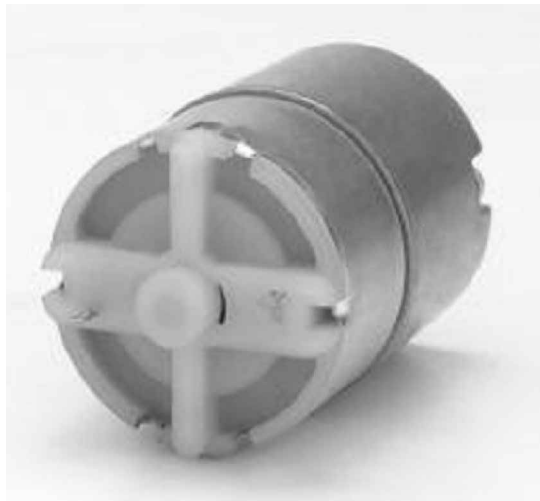
Issue/RevNo	Revision note	Date	Signature	Checked
1.0	Original Issue	01/04/2014	MBM	TNB



M3 x 0.5 x 5mm Deep max. x 3 nos
mounting holes at 120° on 27 PCD



Model No	No of Stages	GL
GB - 1	3 - 4	19.7
GB - 2	5 - 6	24.4
GB - 3	7 - 8	29.0



		Motion Drivetrionics Pvt Ltd		
Itemref	DC32GBB	Article No./Reference		
Designed by MBM	Checked by TNB	Approved by TNB	Date 01/04/2014	Scale do not scale
BRAND - MECHTEX Navi Mumbai - 400 709.		Assembly Drawing		
F-MKT-022 VER 3.0		Edition	Sheet 1 of 1	