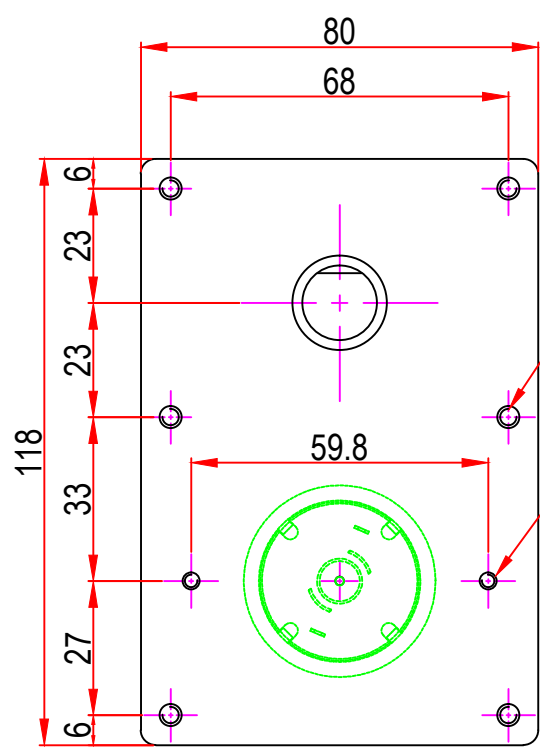


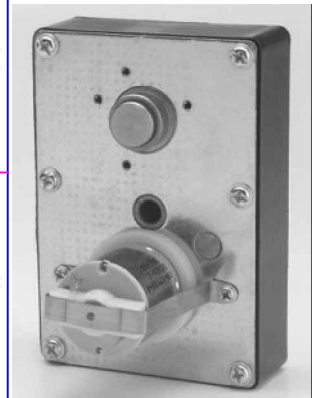
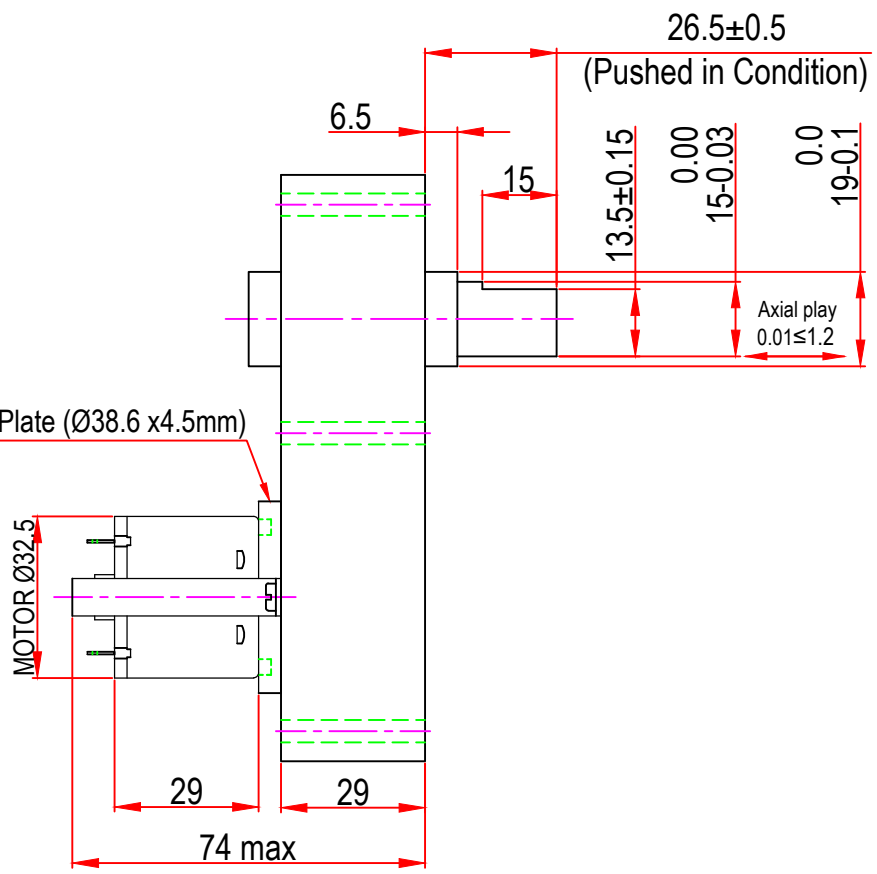
Issue/RevNo	Revision note	Date	Signature	Checked
1.0	Original Issue	01/04/2014	MBM	TNB




M4 x 0.7 with 8mm deep x 6nos.

M3 x 0.5 x 2nos
(Clip mounting Hole)

Adopter Plate (Ø38.6 x 4.5mm)



 Motion Drivetrionics Pvt Ltd			
Itemref	DC30GBX	Article No./Reference	
Designed by MBM	Checked by TNB	Approved by TNB	Date 01/04/2014
BRAND - MECHTEX Navi Mumbai - 400 709.		Assembly Drawing	
F-MKT-022 VER 3.0		Edition	Sheet 1 of 1