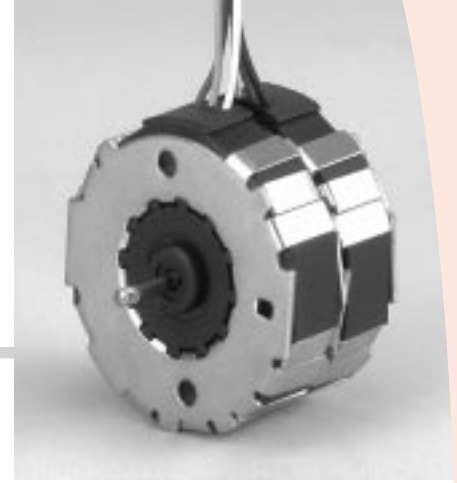




Motor Series MTS3a

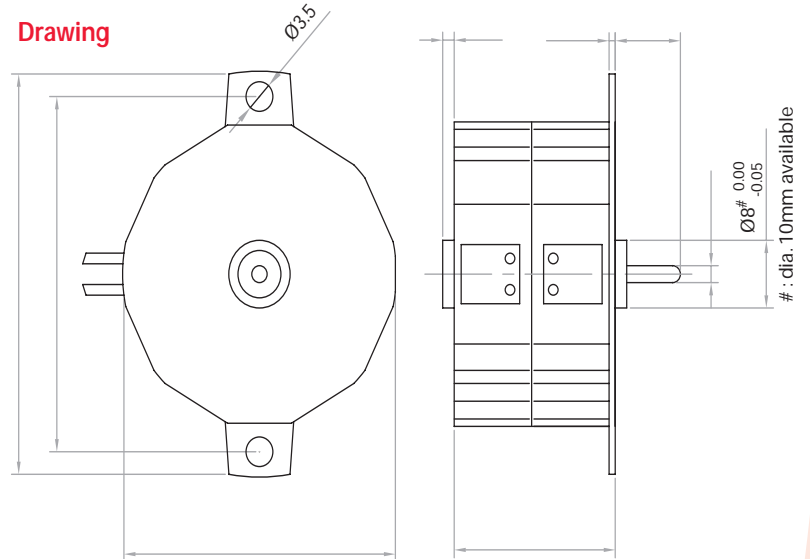
Stepper Motor 7.5°



Technical Data

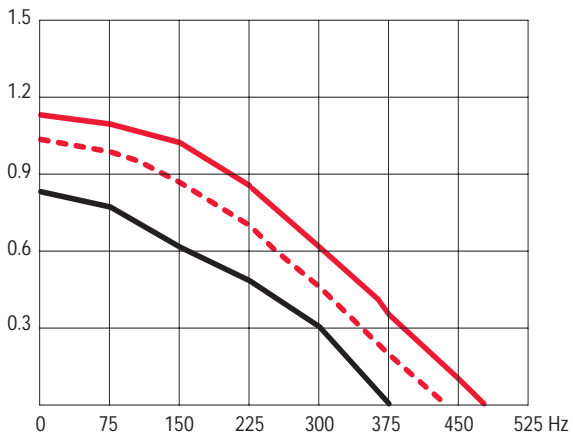
Steps per revolution		48			
Winding Type		bipolar			
Rated Voltage	V	3	6	12	24
Resistance per winding	Ω	11.5	18.5	100	460
Winding Type		unipolar			
Rated Voltage	V	3	6	12	24
Resistance per winding	Ω	12	28.5	120	500
Winding temperature	$^{\circ}\text{C}$	105 max.			
Holding torque	gm-cm	130 (MTSB3a)	100 (MTSU3a)		
Axial Force	gm	100			
Lateral Force	gm	300			
Rotor inertia	gmcm ²	2.9			

Drawing



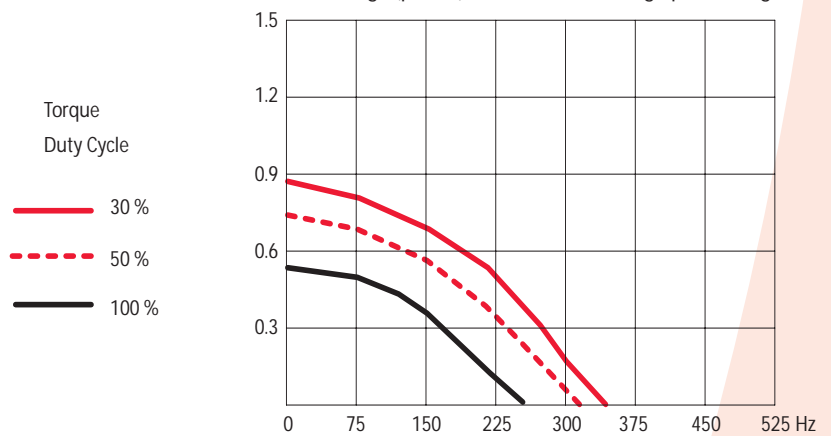
Torque Graphs

Start range (pull-in) with constant voltage power stage

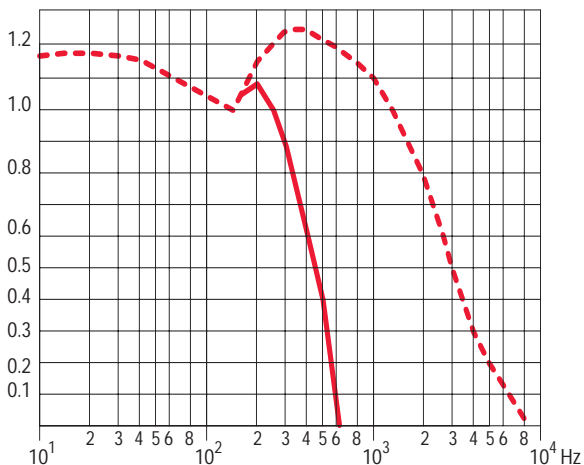


2-Phase stepper Motor MTSB3a

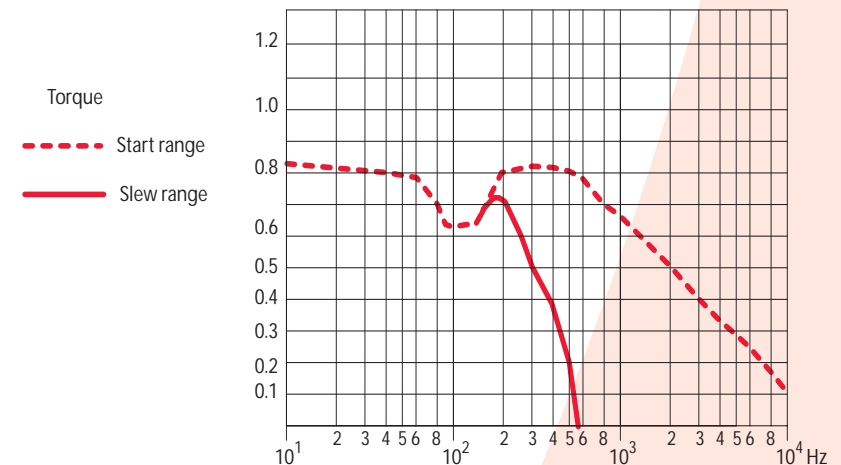
Start range (pull-in) with constant voltage power stage



4-Phase Stepper Motor MTSU3a



Slew range (pull-out) and start range (pull-in) with constant current power stage (chopper Drive)



Slew range (pull-out) and start range (pull-in) with constant current power stage (chopper Drive)