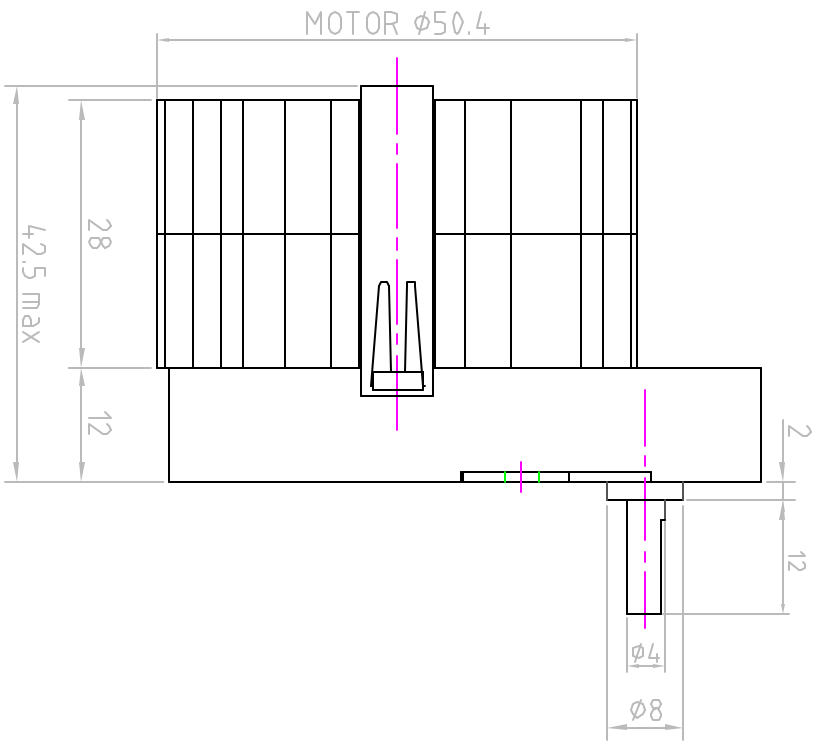
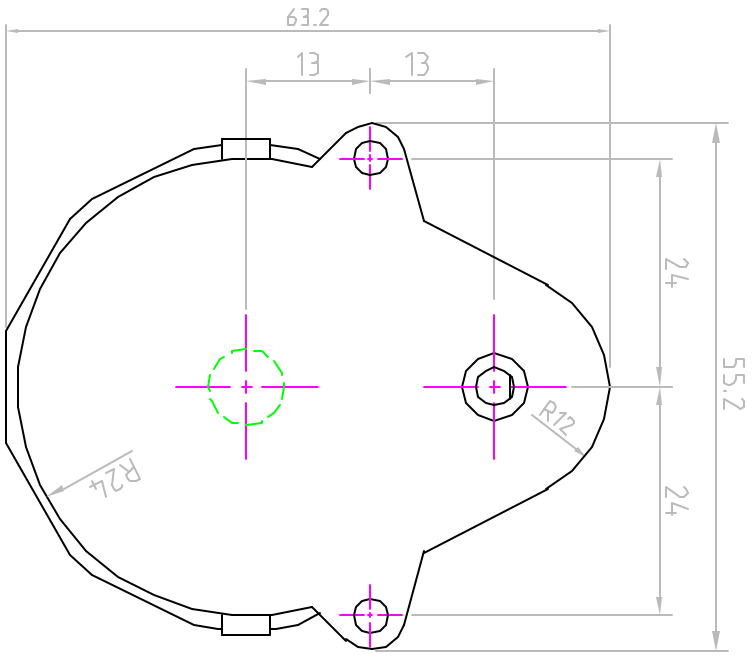


| | | | | |
|-------------|----------------|--------|-----------|---------|
| Issue/RevNo | Revision note | Date | Signature | Checked |
| 1/1 | Original Issue | 7/7/13 | | |



| | | | |
|-----------------------------|------------|-------------------------|-------|
| Itemref | Quantity | Article No./Reference | Scale |
| Designed by Tarak Bhagat | Checked by | Date 1/7/13 | |
| Approved by - date | | Assembly Drawing MTR4b2 | |
| DRAWING_NUMBER | | Edition | Sheet |

MINOR