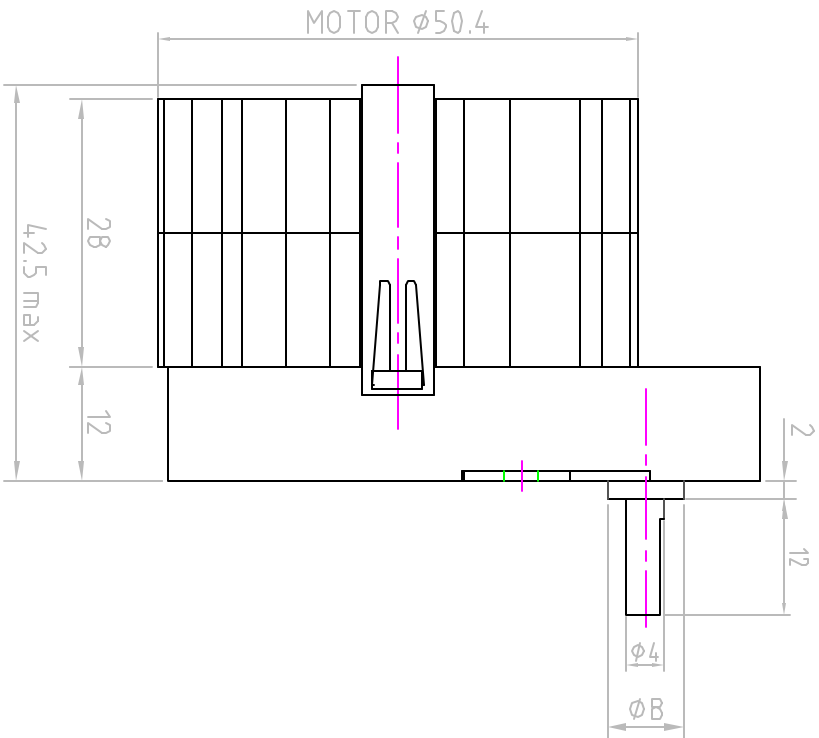
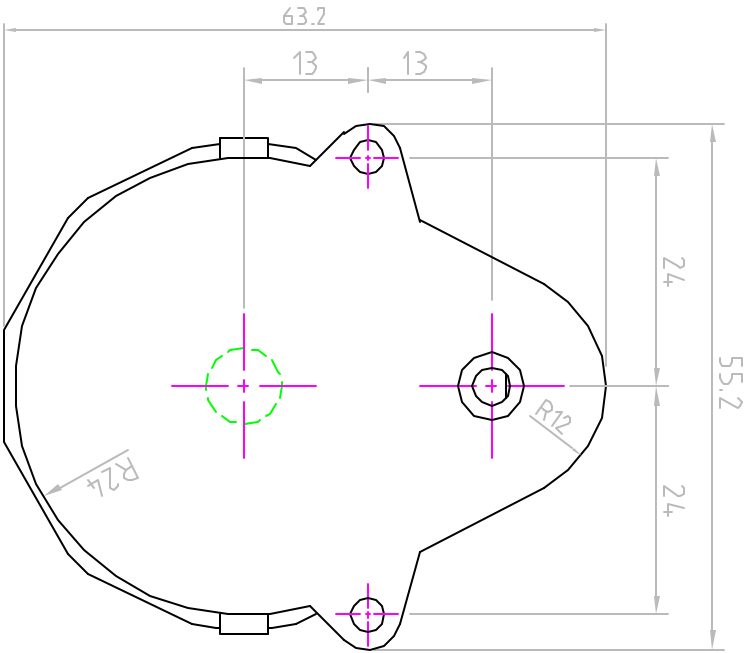


Issue/RevNo	Revision note	Date	Signature	Checked
1/1	Original Issue	7/7/13		



Itemref	Quantity	Article No./Reference	Scale
Designed by Tarak Bhagat	Checked by	Date 1/7/13	
Approved by - date		Edition	
Assembly Drawing MTR4-a2		Sheet	
DRAWING_NUMBER			

MINOR