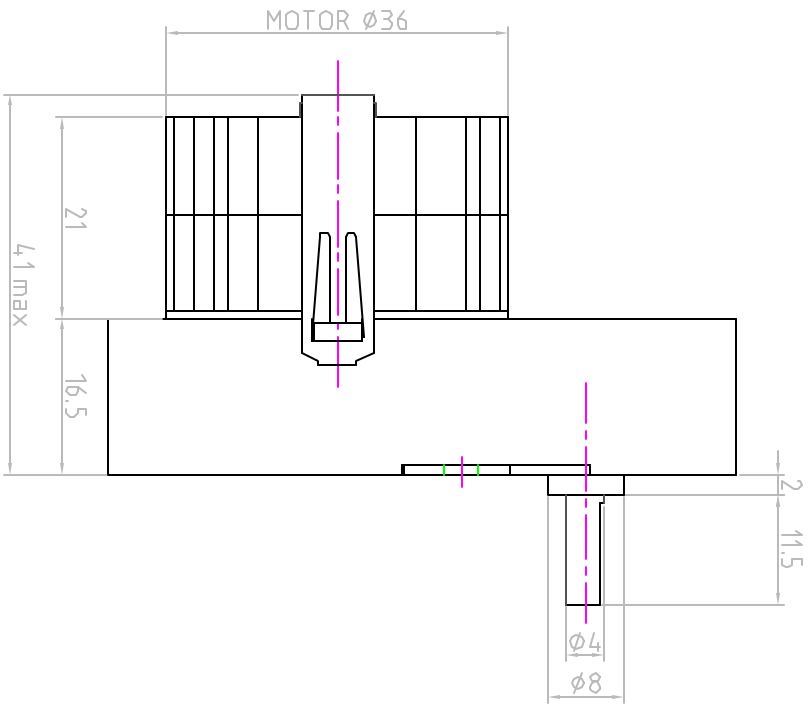
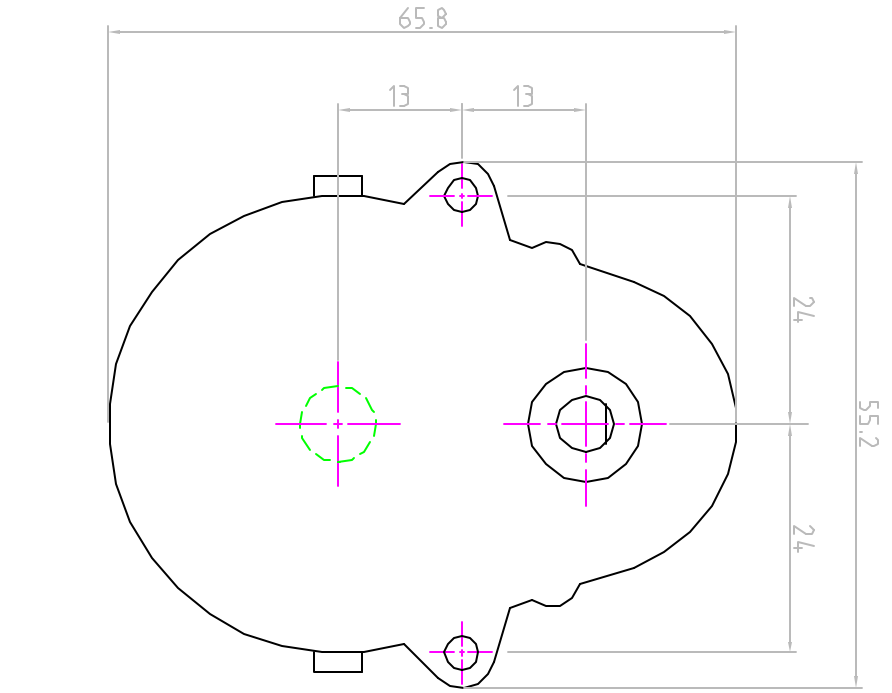


Issue/RevNo	Revision note	Date	Signature	Checked
1/1	Original Issue	7/7/13		



Itemref	Quantity	Article No./Reference	Scale
Designed by Tarak Bhagat	Checked by	Approved by - date	Date 1/7/13

Assembly Drawing MTR3B5P

DRAWING_NUMBER

Edition Sheet

MINOR