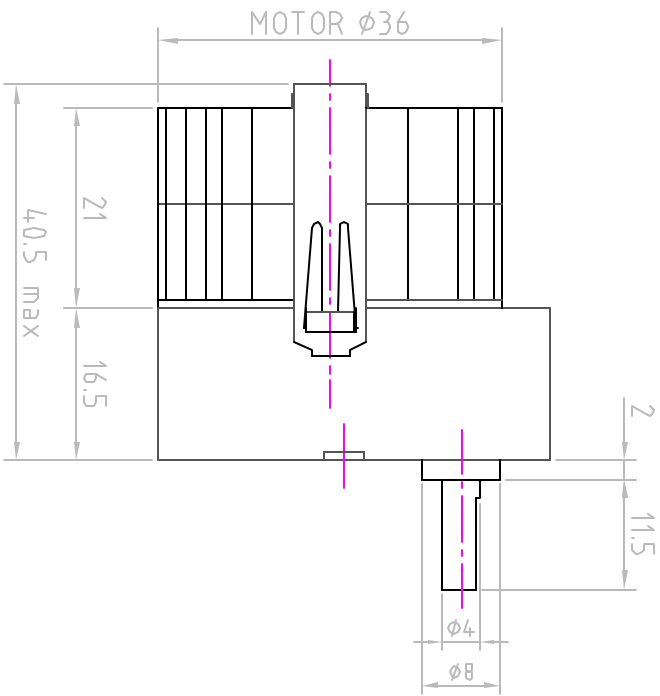
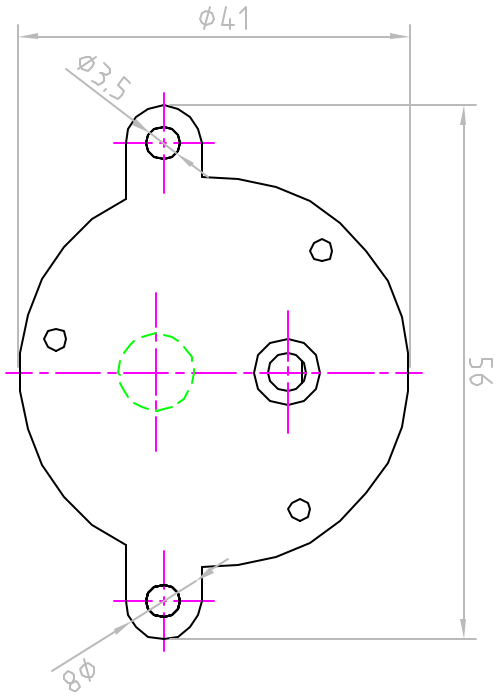


Issue/RevNo	Revision note	Date	Signature	Checked
1/1	Original Issue	28/13/15		



Itemref	Quantity	Material		Article No./Reference
Designed by Tarak Bhagat		Aluminium die casted		
Checked by		Approved by - date	Date	Scale
			28/13/15	
Mech Tex Mfg Co.		ASSEMBLY DRAWING MTR3DbGB380CP		
Mumbai - 4 00080		DRAWING_NUMBER	Edition	Sheet

MINOR