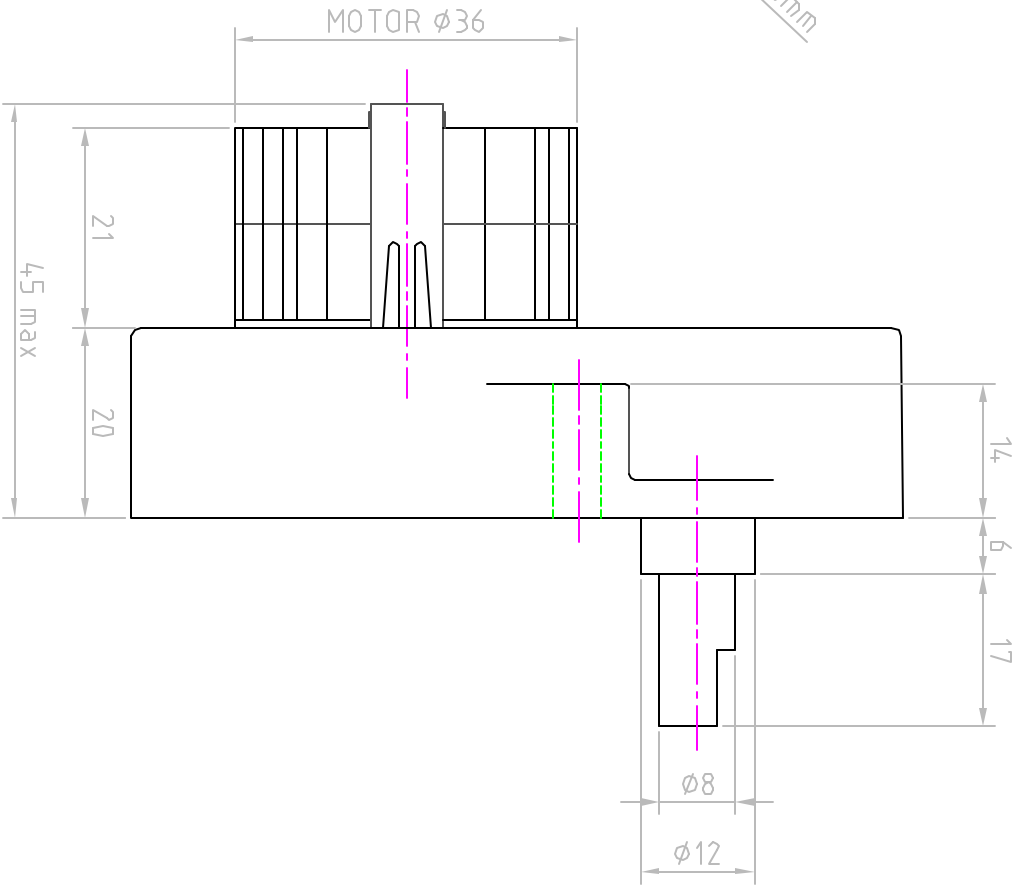
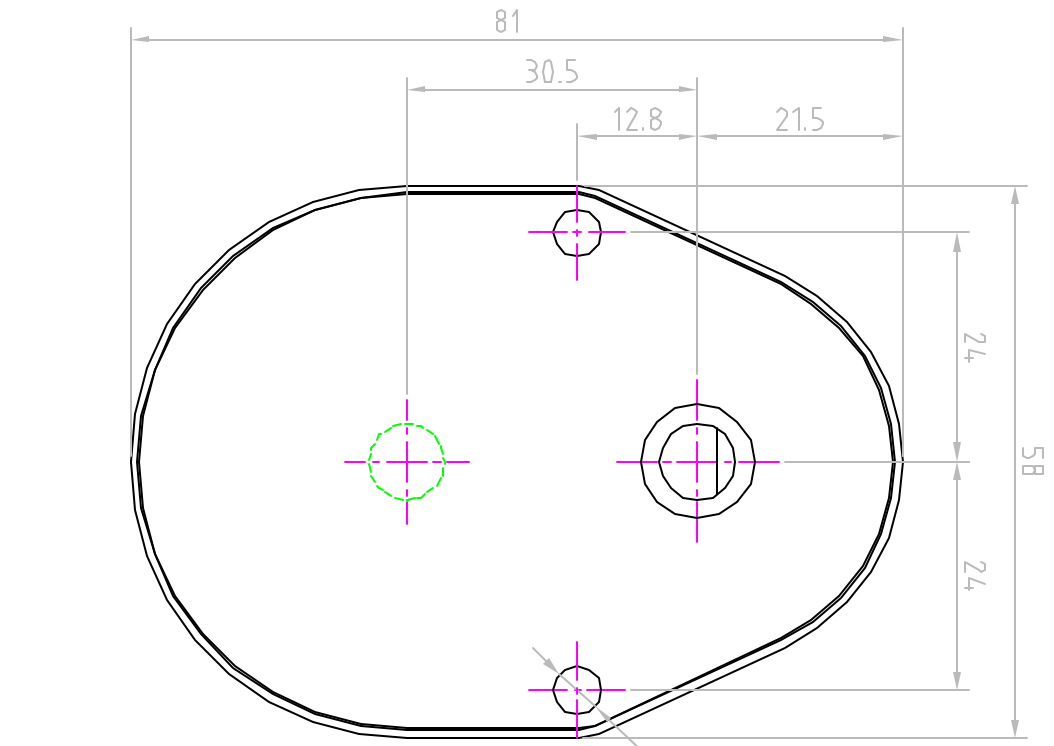


Issue/RevNo	Revision note	Date	Signature	Checked
1/1	Original Issue	28/13/15		



Itemref	Quantity	Material	Article No./Reference
Designed by Tarak Bhagat	Checked by	Aluminium die casted	Date 11-05-2115
Approved by - date		Scale	
Mech Tex Mfg Co. Mumbai - 4 00080		Assembly Drawing MTR3a7	
DRAWING_NUMBER		Edition	Sheet

MINOR