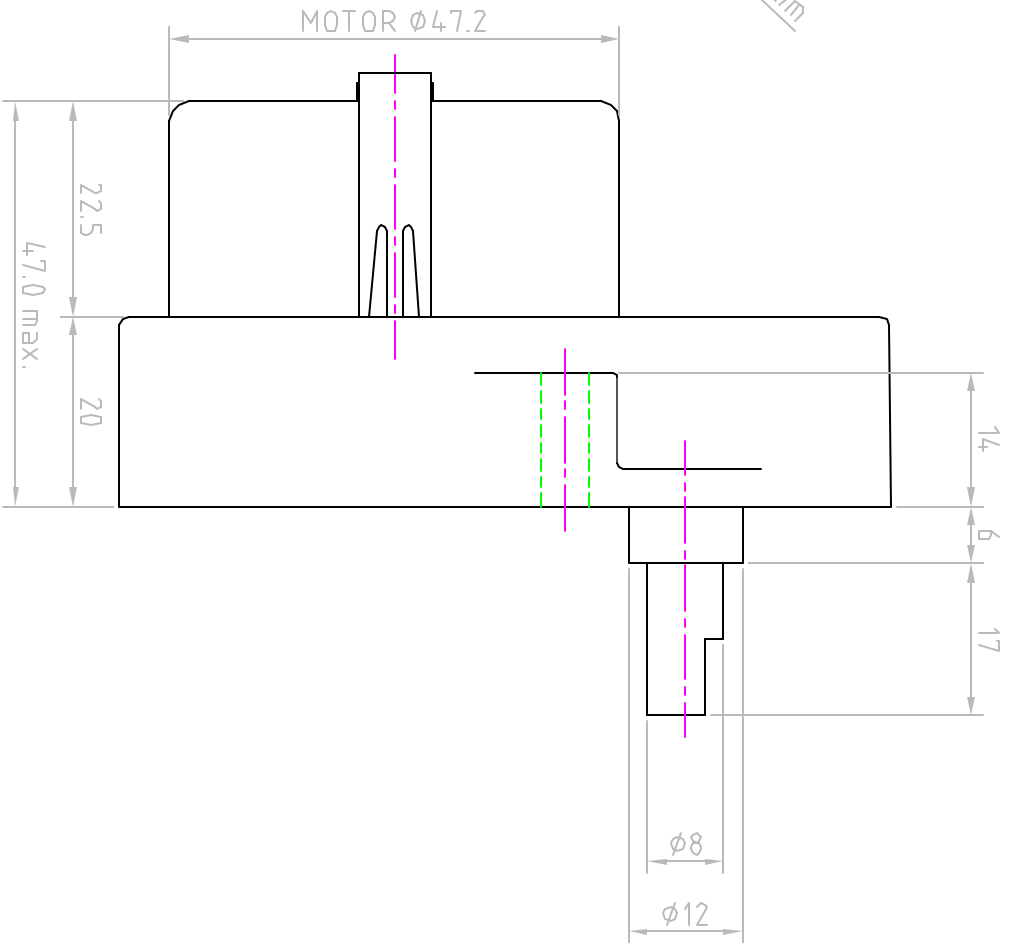
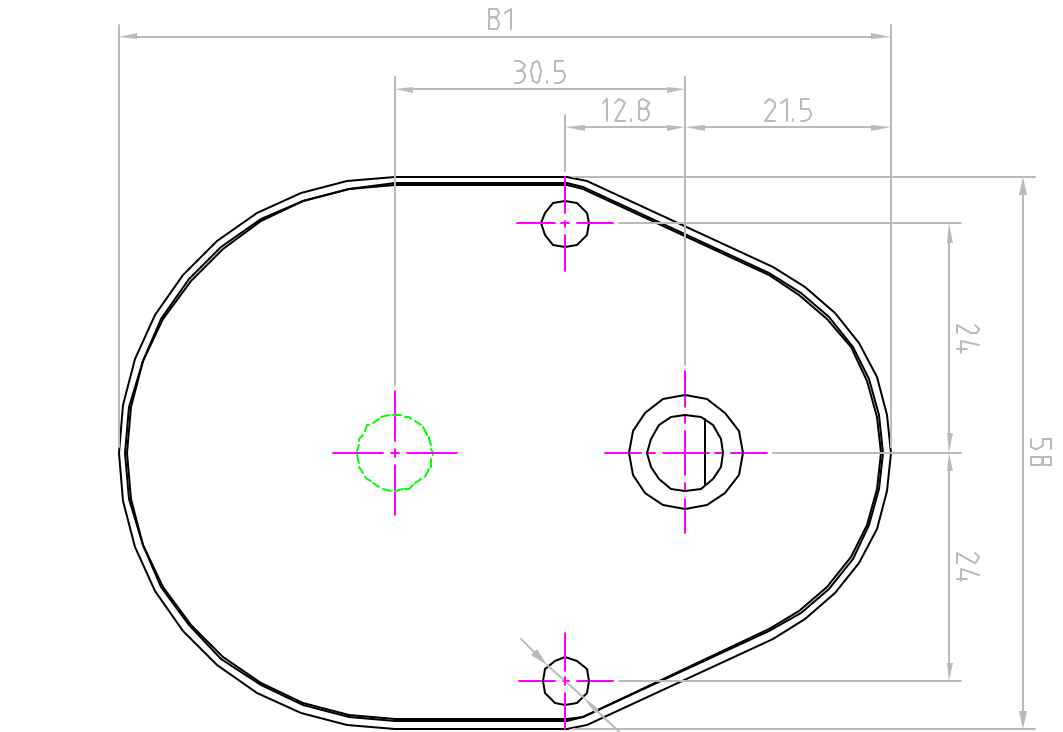


Issue/Revno	Revision note	Date	Signature	Checked
1/1	Original Issue	28/13/15		



Itemref	Quantity	Material	Article No./Reference
Designed by Tarak Bhagat	Checked by	Aluminium die casted	Date 11-05-2015
Approved by - date		Scale	

Mech Tex Mfg Co.
Mumbai - 400080

Assembly Drawing MT67

DRAWING_NUMBER

Edition Sheet

MINOR