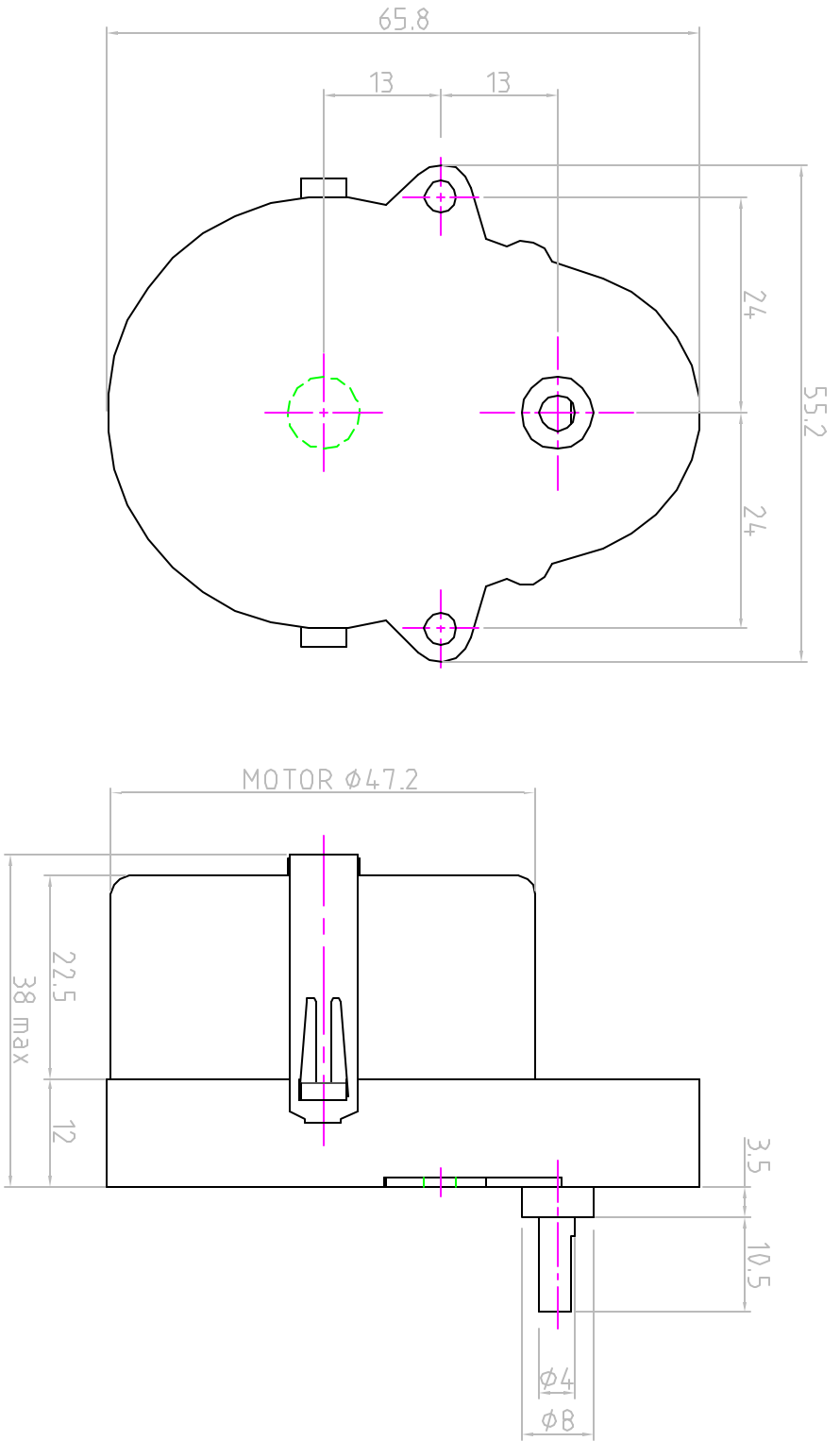


Issue/RevNo	Revision note	Date	Signature	Checked
1/1	Original Issue	7/7/13		



Itemref	Quantity	Article No./Reference	Scale
Designed by Tarak Bhagat	Checked by	Date 1/7/13	
Approved by - date		Assembly Drawing MT 65H	
DRAWING_NUMBER		Edition	Sheet

MINOR