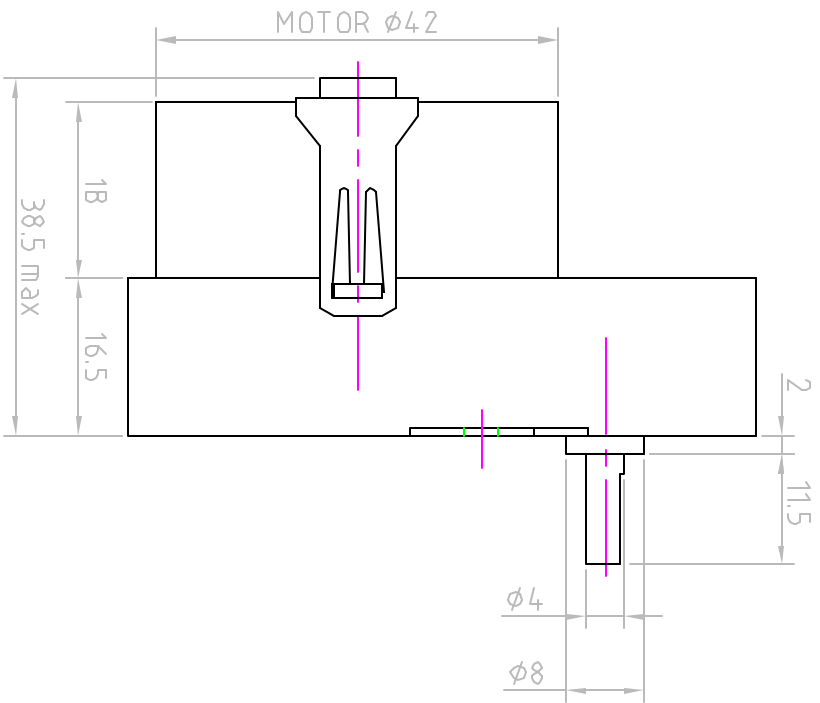
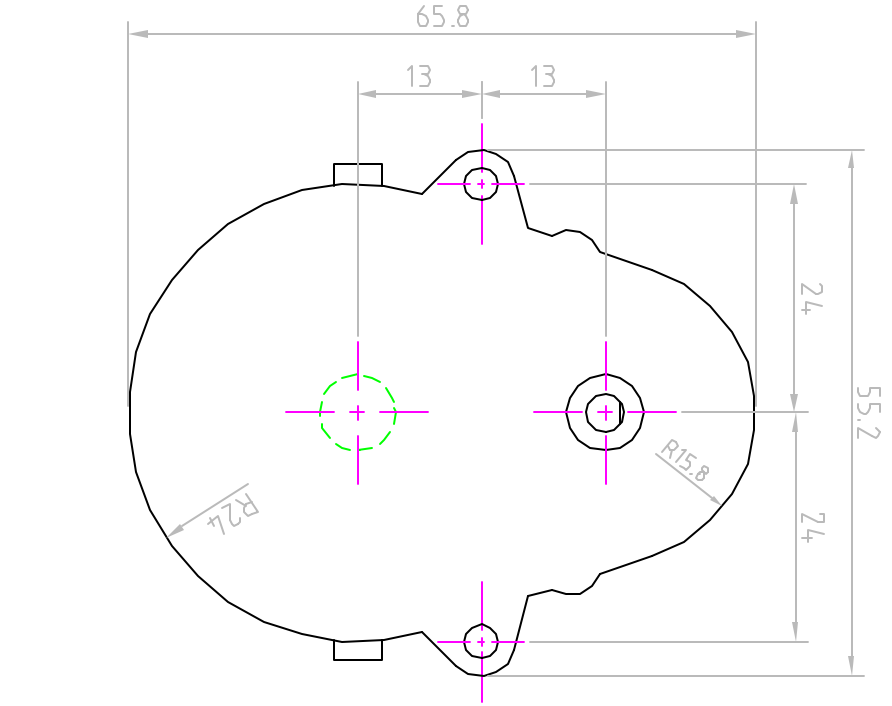


Issue/RevNo	Revision note	Date	Signature	Checked
1/1	Original Issue	15/11/13		



Itemref	Quantity	Article No./Reference	Scale
Designed by Tarak Bhagat	Checked by	Date 15/11/13	do not scale
Approved by - date		Edition	
Mach-TeX Mfg. Co. Mumbai - 400 080		Sheet	

Assembly Drawing MT05P

Sheet